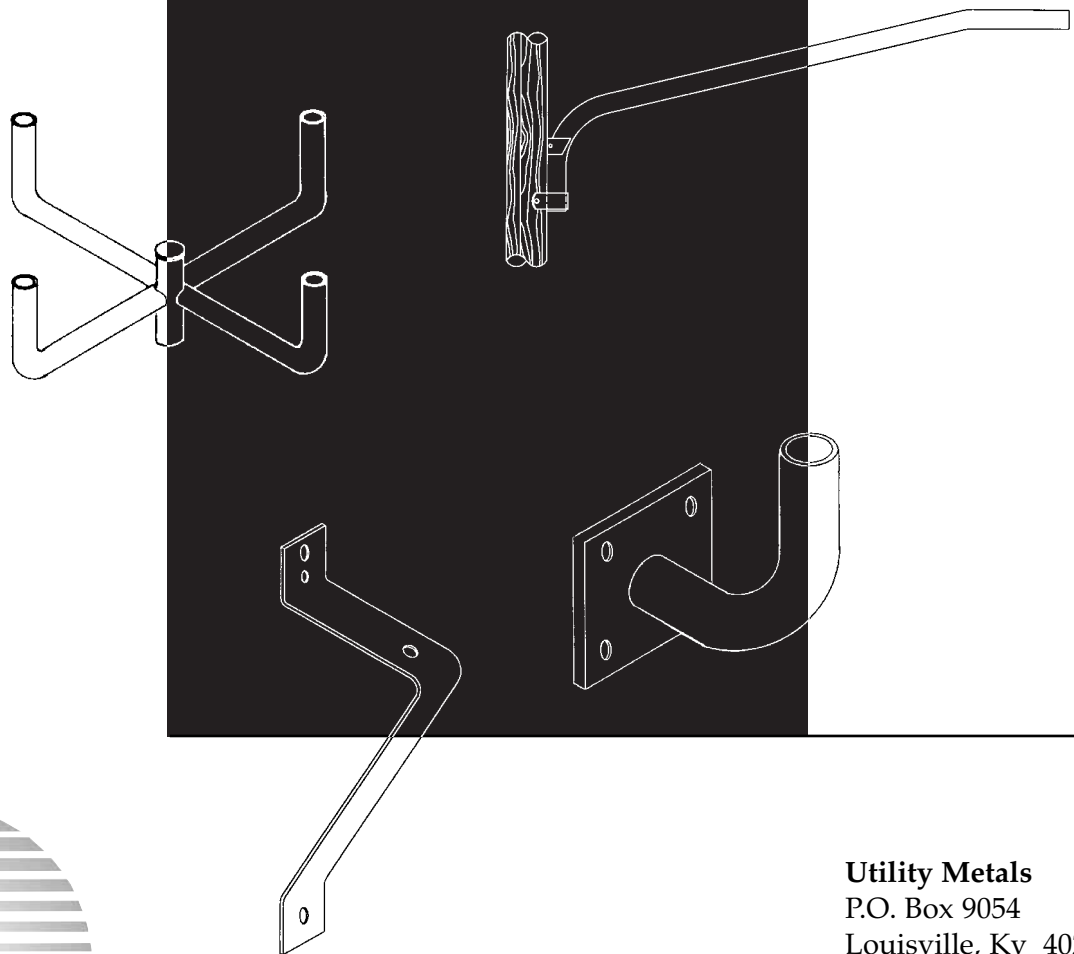




LIGHTING BRACKETS



Utility Metals
P.O. Box 9054
Louisville, Ky 40209

800-627-8276
502-363-6681
502-368-2656 FAX
www.utilitymetals.com

*A division of
Fabricated Metals LLC*
LB-22

TABLE OF CONTENTS

STEEL AND ALUMINUM WOOD POLE MOUNTING BRACKETS

"P" Series – Cantilever Style Brackets	1
"M" Series – Cantilever Style Brackets	2
"S" Series – Single Guy Rod Brackets	2
"D" Series – Double Guy Rod Brackets	3
"U" Series – Continuous Upsweep Brackets	4
"P" Series – Cross Arm Brackets	5
Twin Cross Arm Adapter Angle Bracket	5
"P" Series – Twin Cross Arm Brackets	6
"B" Series – Tapered Elliptical Brackets	6
"A" Series – A-Frame Brackets	7
Truss Brackets	8
Single Floodlight Brackets	9
Double Floodlight Bracket	9
Triple Floodlight Bracket	10
Right Angle Brackets	10
Wrap Around Brackets	11-12

STEEL AND ALUMINUM

CONCRETE & STEEL POLE MOUNTING BRACKETS

"P" Series – Cantilever Style Brackets	13
"U" Series – Continuous Upsweep Brackets	14
"B" Series – Tapered Elliptical – Concrete Pole	15
"E" Series – Cantilever Style – Round Pole	15
Truss Brackets – Square and Round Pole Mounting	16
Right Angle Wrap Brackets for Round and Square Poles – Single and Double Arms	17
Right Angle Brackets	18
Side Tenon Brackets	19
Wrap Around Brackets	20-21

POLE TOP MOUNTING BRACKETS AND ACCESSORIES

Bull Horn Brackets	22-24
Spoke Brackets	25-27
Round Square Round Brackets	28-30
Upsweep Brackets	31-32
Tenon Reducers and Adapters	33

SPORTS LIGHTING BRACKETS

Lighting Brackets – Wood Pole – Two to Six Lights	34-36
Lighting Brackets – Square & Round Poles Two to Six Lights	36

CORNER MOUNTING BRACKETS

"E" Series – Cantilever Style Brackets	37
Parapet Bracket	37

WALL MOUNTING BRACKETS

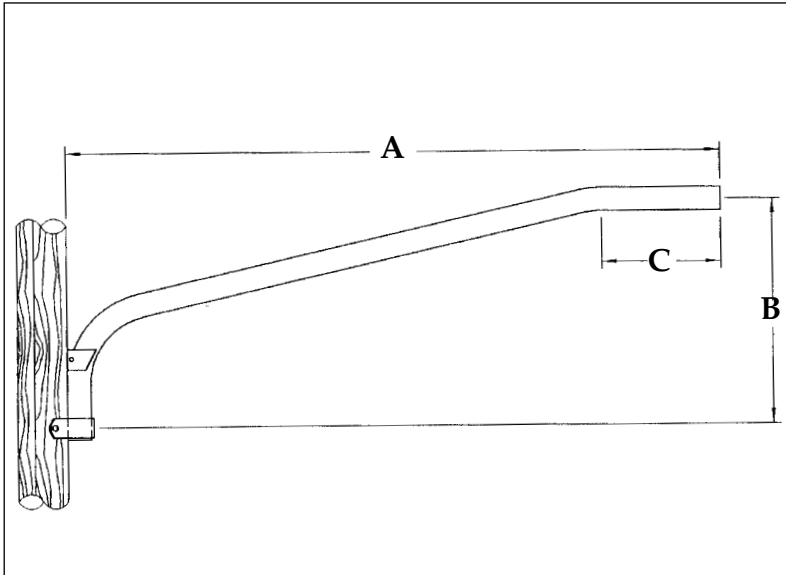
"J" Series – Continuous Upsweep Brackets	38
"E" Series – Cantilever Style Brackets	38
"P" Series – Cross Arm Brackets	39
Right Angle Brackets	39-40
Double Right Angle Bracket	40
Side Angle Brackets	41
Vertical Tenon Brackets	41

Throughout the catalog this symbol ♦ indicates stock item (in limited quantity).

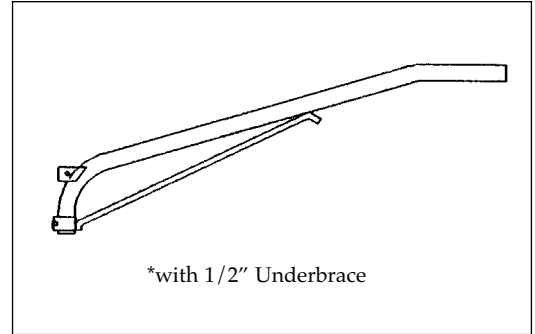
Utility Metals reserves the right to modify or change any portion of this catalog, its contents, and terms and conditions without notice, to allow for material availability, manufacturing processes and product change. For publication purposes, dimensions are rounded to the nearest inch where appropriate.

"P" SERIES - CANTILEVER STYLE BRACKET

WOOD POLE MOUNTING



- Mounting hardware not included



ALUMINUM

CATALOG NO.	PIPE SIZE	NOM. LGTH.	A	B	C	WT/LBS
P125A020	1-1/4"	2'	24"	13"	8"	3
◆ P125A040	1-1/4"	4'	42"	19"	10"	4
◆ P125A060U*	1-1/4"	6'	66"	24"	12"	6
P200A020	2"	2'	24"	13"	8"	5
◆ P200A026	2"	2'-6"	30"	15"	10"	6
◆ P200A040	2"	4'	42"	19"	10"	7
◆ P200A060	2"	6'	66"	24"	12"	10
◆ P200A080	2"	8'	90"	30"	15"	12

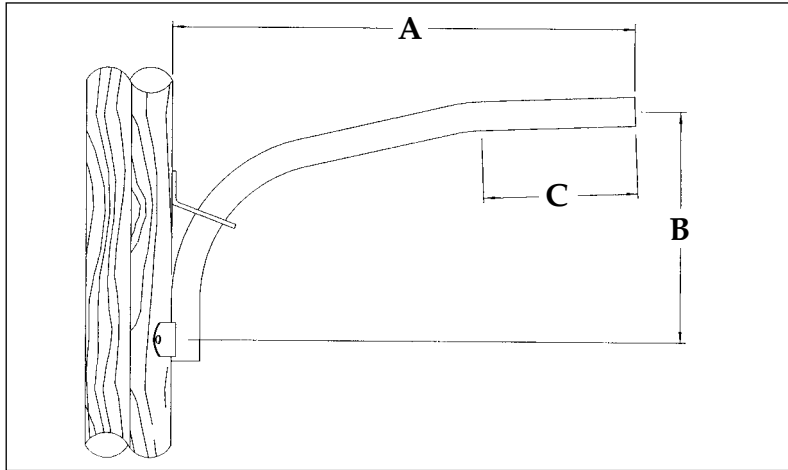
STEEL

CATALOG NO.	PIPE SIZE	NOM. LGTH.	A	B	C	WT/LBS
◆ P125S020	1-1/4"	2'	24"	13"	8"	7
◆ P125S024	1-1/4"	2'-4"	28"	13"	9"	9
◆ P125S026	1-1/4"	2'-6"	30"	15"	10"	9
◆ P125S040	1-1/4"	4'	42"	19"	10"	11
◆ P125S060	1-1/4"	6'	66"	24"	12"	15
◆ P125S080	1-1/4"	8'	90"	30"	15"	20
P200S020	2"	2'	24"	13"	8"	14
◆ P200S026	2"	2'-6"	30"	15"	10"	15
◆ P200S040	2"	4'	42"	19"	10"	18
◆ P200S060	2"	6'	66"	24"	12"	24
◆ P200S080	2"	8'	90"	30"	15"	30

◆ indicates stock item (in limited quantity)

"M" SERIES - CANTILEVER STYLE BRACKET

WOOD POLE MOUNTING



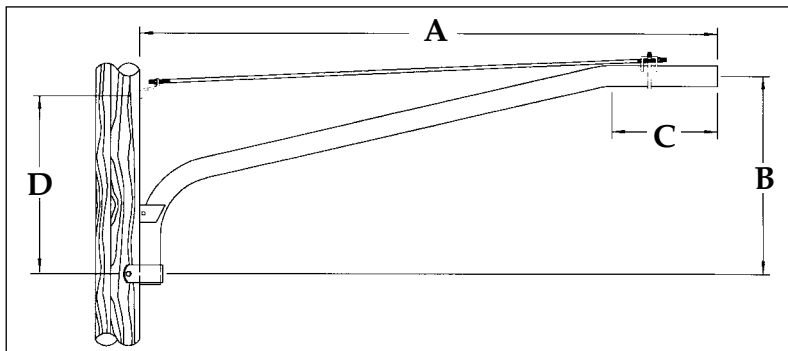
- Mounting hardware not included

ALUMINUM

CATALOG NO.	PIPE SIZE	NOM. LGTH.	A	B	C	WT/LBS
◆ M125A026	1-1/4"	2'-6"	30"	12"	12"	3

"S" SERIES - SINGLE GUY ROD BRACKET

WOOD POLE MOUNTING



- Guy rod hardware shipped in bags
- Brackets shipped unassembled
- Mounting hardware not included

ALUMINUM

CATALOG NO.	PIPE SIZE	NOM. LGTH.	A	B	C	D	WT/LBS
◆ S200A060	2"	6'	66"	24"	12"	20"	14
◆ S200A080	2"	8'	90"	30"	15"	22"	16

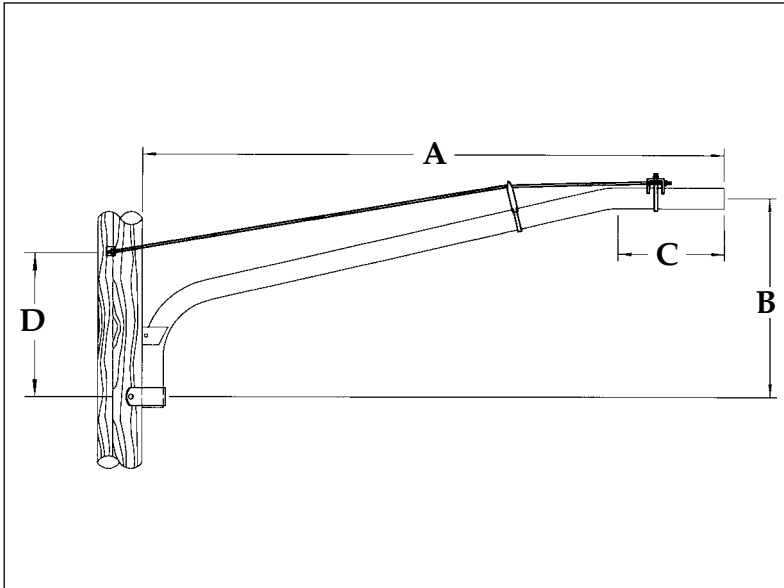
STEEL

CATALOG NO.	PIPE SIZE	NOM. LGTH.	A	B	C	D	WT/LBS
◆ S125S060	1-1/4"	6'	66"	24"	12"	20"	20
◆ S125S080	1-1/4"	8'	90"	30"	15"	22"	23
◆ S125S100	1-1/4"	10'	114"	35"	18"	24"	26
◆ S200S060	2"	6'	66"	24"	12"	20"	27
◆ S200S080	2"	8'	90"	30"	15"	22"	34
◆ S200S100	2"	10'	114"	35"	18"	24"	42
◆ S200S120	2"	12'	138"	40"	21"	26"	50

◆ indicates stock item (in limited quantity)

"D" SERIES - DOUBLE GUY ROD BRACKET

WOOD POLE MOUNTING



- Guy rod hardware shipped in bags
- Brackets shipped unassembled
- Mounting hardware not included

ALUMINUM

CATALOG NO.	PIPE SIZE	NOM. LGTH.	A	B	C	D	WT/LBS
◆ D200A080	2"	8'	90"	30"	15"	22"	23
◆ D200A100	2"	10'	114"	35"	18"	24"	27
◆ D200A120	2"	12'	138"	41"	21"	26"	32

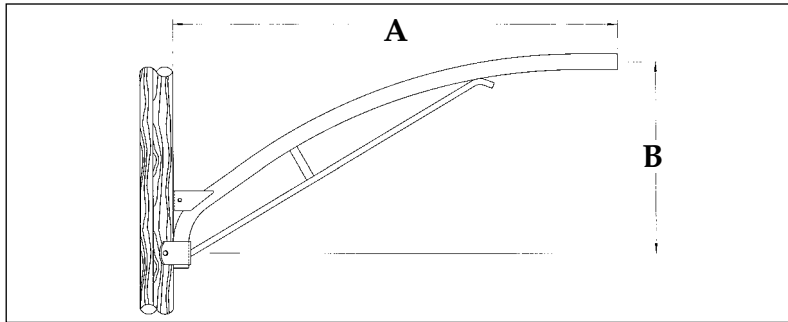
STEEL

CATALOG NO.	PIPE SIZE	NOM. LGTH.	A	B	C	D	WT/LBS
◆ D125S080	1-1/4"	8'	90"	30"	15"	22"	32
◆ D125S100	1-1/4"	10'	114"	35"	18"	24"	36
◆ D125S120	1-1/4"	12'	138"	41"	21"	26"	43
◆ D125S140	1-1/4"	14'	162"	47"	24"	28"	50
◆ D200S080	2"	8'	90"	30"	15"	22"	42
◆ D200S100	2"	10'	114"	35"	18"	24"	51
◆ D200S120	2"	12'	138"	41"	21"	26"	59
◆ D200S140	2"	14'	162"	47"	24"	28"	66
◆ D200S160	2"	16'	186"	52"	27"	32"	78

◆ indicates stock item (in limited quantity)

"U" SERIES - CONTINUOUS UPSWEEP BRACKET W/UNDERBRACE

WOOD POLE MOUNTING



- Mounting hardware not included

ALUMINUM

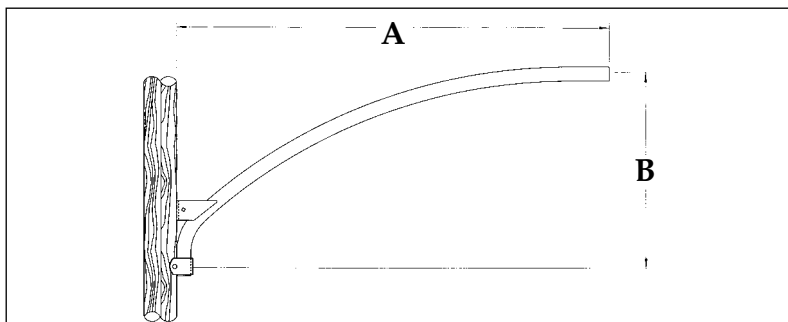
CATALOG NO.	PIPE SIZE	NOM. LGTH.	A	B	WT/LBS
U125A060U	1-1/4"	6'	66"	30"	9
◆ U200A060U	2"	6'	66"	30"	12
◆ U200A080U	2"	8'	90"	30"	15

STEEL

CATALOG NO.	PIPE SIZE	NOM. LGTH.	A	B	WT/LBS
◆ U125S060U	1-1/4"	6'	66"	30"	26
◆ U125S080U	1-1/4"	8'	90"	30"	30
U200S060U	2"	6'	66"	30"	37
U200S080U	2"	8'	90"	30"	45

"U" SERIES - CONTINUOUS UPSWEEP BRACKET

WOOD POLE MOUNTING



- Mounting hardware not included

ALUMINUM

CATALOG NO.	PIPE SIZE	NOM. LGTH.	A	B	WT/LBS
U125A040	1-1/4"	4'	43"	22"	5
◆ U200A040	2"	4'	43"	22"	8
◆ U200A060	2"	6'	66"	30"	10

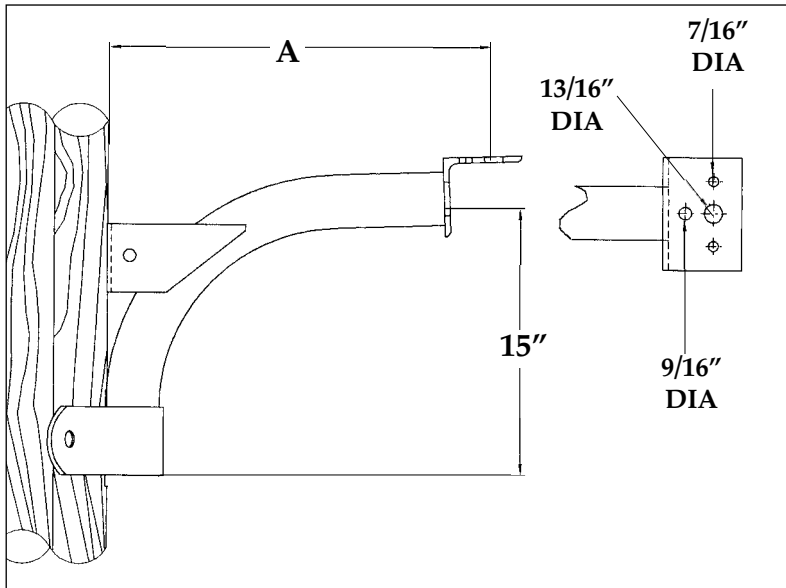
STEEL

CATALOG NO.	PIPE SIZE	NOM. LGTH.	A	B	WT/LBS
◆ U125S040	1-1/4"	4'	43"	22"	13
◆ U125S060	1-1/4"	6'	66"	30"	18
◆ U200S040	2"	4'	43"	22"	22
◆ U200S060	2"	6'	66"	30"	32
◆ U200S080	2"	8'	90"	30"	40

◆ indicates stock item (in limited quantity)

"P" SERIES - CROSS ARM BRACKET

WOOD POLE MOUNTING



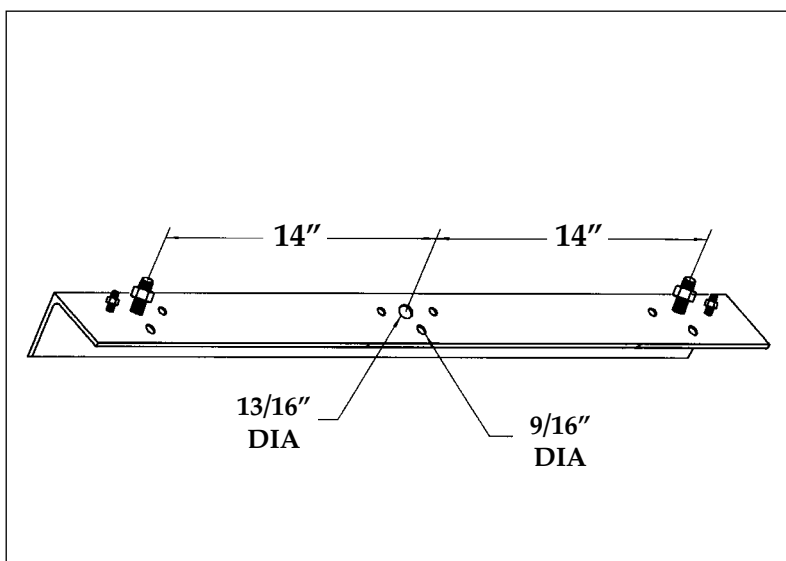
- Fixture mounting hardware included
- Finish: Hot dip galvanized
- For primer, substitute "P" in place of "S"

STEEL

CATALOG NO.	PIPE SIZE	NOM. LGTH.	A	WT/LBS
◆ P200S016C	2"	1'-6"	18"	14
◆ P200S026C	2"	2'-6"	30"	15
P200S040C	2"	4'	48"	20

TWIN CROSS ARM ADAPTER ANGLE BRACKET

CROSS ARM MOUNTING



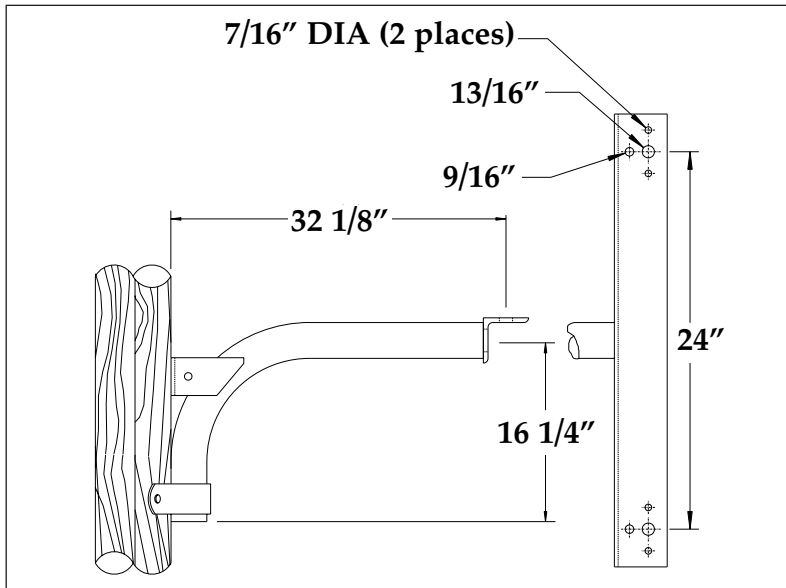
- Fixture mounting hardware included
- Wiring access optional
- Finish: Hot dip galvanized

STEEL

CATALOG NO.	WT/LBS
◆ TCAA33	20
◆ indicates stock item (in limited quantity)	

"P" SERIES - TWIN CROSS ARM BRACKET

WOOD POLE MOUNTING



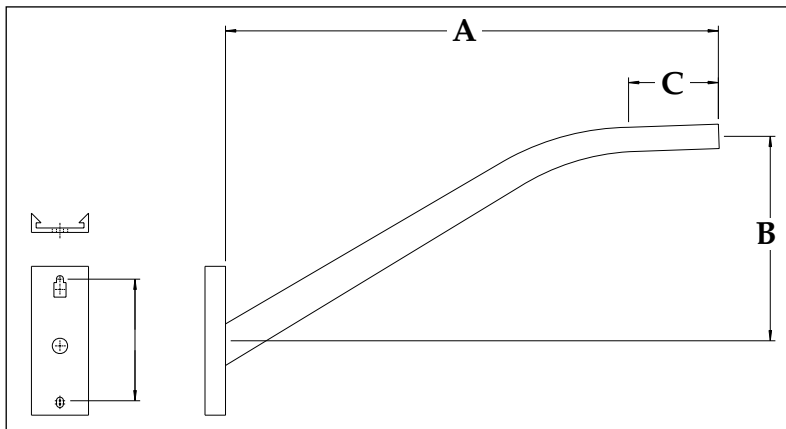
- Fixture mounting hardware included
- Finish: Hot dip galvanized
- For primer, substitute "P" in place of "S"

STEEL

CATALOG NO.	PIPE SIZE	NOM. LGTH.	WT/LBS
◆ P200S026T	2"	2'-5"	31

"B" SERIES - TAPERED ELLIPTICAL BRACKET

WOOD POLE MOUNTING



- Mounting hardware not included
- Wiring access optional
- Consult manufacturer for mounting hole spacing

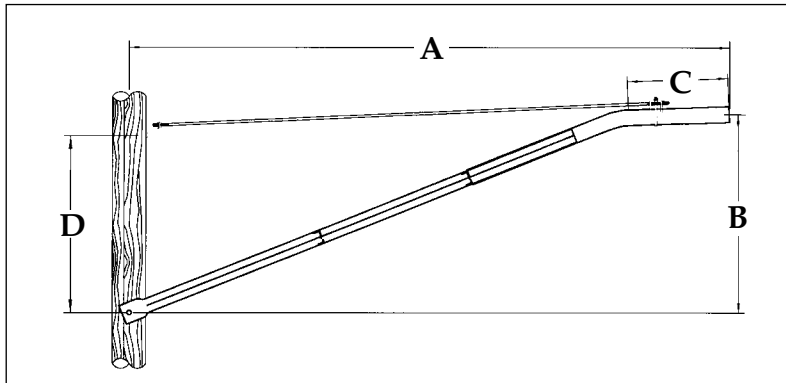
ALUMINUM

CATALOG NO.	PIPE SIZE	NOM. LGTH.	A	B	C	WT/LBS
◆ B200A026-4.0	2"	2'-6"	30"	12"	10"	9
◆ B200A040-3.0	2"	4'	48"	20 1/4"	8 3/4"	10
◆ B200A060-3.5	2"	6'	72"	30 7/8"	10"	17
◆ B200A080-4.0	2"	8'	96"	44 7/8"	9"	19
◆ B200A100-4.0	2"	10'	120"	51 1/8"	12"	21

◆ indicates stock item (in limited quantity)

"A" SERIES - A-FRAME BRACKET 8' - 12'

WOOD POLE MOUNTING



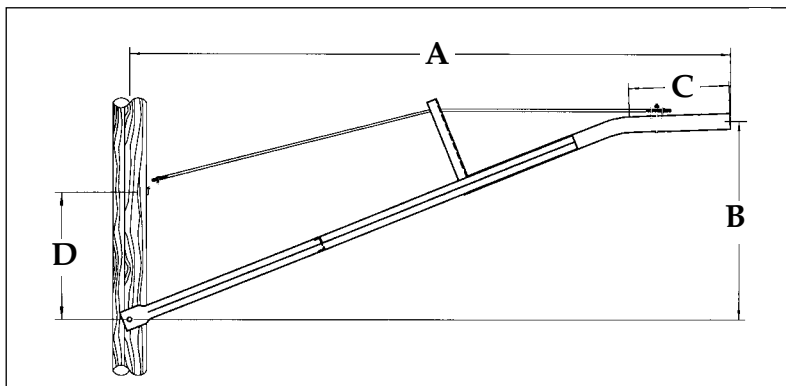
- Guy rod hardware shipped in bags
- Brackets shipped unassembled
- Mounting hardware not included
- Finish: Hot dip galvanized

STEEL

CATALOG NO.	PIPE SIZE	NOM. LGTH.	A	B	C	D	WT/LBS
A125S080	1-1/4"	8'	90"	30"	11"	28"	34
A125S100	1-1/4"	10'	114"	35"	14"	28"	42
A125S120	1-1/4"	12'	138"	43"	17"	28"	49
A200S080	2"	8'	90"	30"	11"	28"	39
A200S100	2"	10'	114"	35"	14"	28"	48
A200S120	2"	12'	138"	43"	17"	28"	56

"A" SERIES - A-FRAME BRACKET 14' - 20'

WOOD POLE MOUNTING



- Guy rod hardware shipped in bags
- Brackets shipped unassembled
- Mounting hardware not included
- Finish: Hot dip galvanized

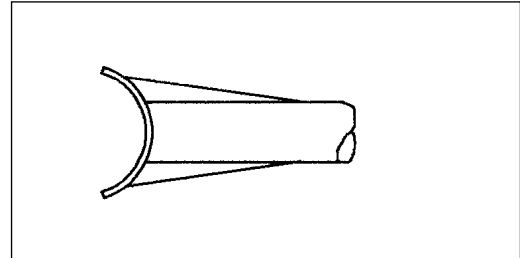
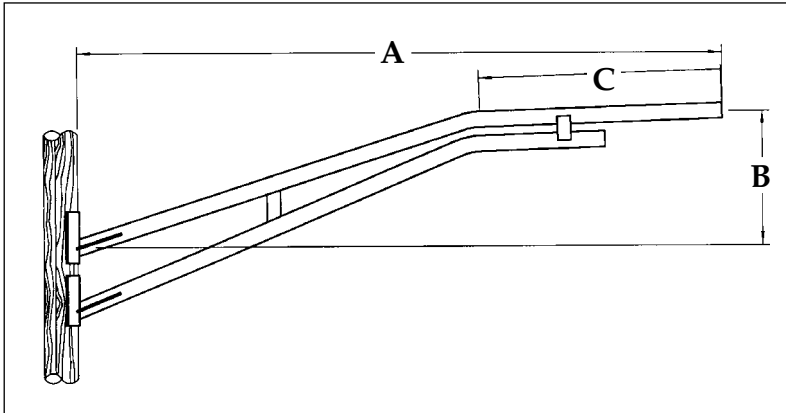
STEEL

CATALOG NO.	PIPE SIZE	NOM. LGTH.	A	B	C	D	WT/LBS
A125S140	1-1/4"	14'	162"	50"	20"	28"	64
A125S160	1-1/4"	16'	186"	56"	23"	28"	70
A200S140	2"	14'	162"	50"	20"	28"	72
A200S160	2"	16'	186"	56"	23"	28"	80
A200S180*	2"	18'	210"	66"	26"	24"	88
A200S200*	2"	20'	234"	73"	29"	21"	96

* Also available with 1-1/4" slipfit end

TRUSS BRACKET

WOOD POLE MOUNTING



Wood Pole Mounting
Mounting Hardware Not Included.

ALUMINUM

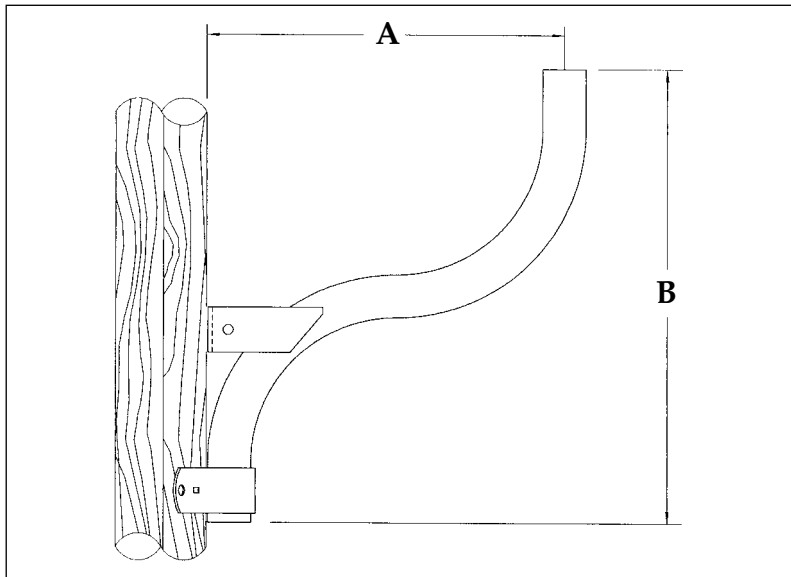
CATALOG NO.	PIPE SIZE	NOM. LGTH.	A	B	C	WT/LBS
C200A060X	2"	6'	72"	13"	36"	20
C200A080X	2"	8'	96"	21"	36"	25
C200A100X	2"	10'	120"	28"	36"	30
C200A120X	2"	12'	144"	36"	36"	35
C200A140X	2"	14'	168"	44"	36"	40
C200A150X	2"	15'	180"	48"	36"	45

STEEL

CATALOG NO.	PIPE SIZE	NOM. LGTH.	A	B	C	WT/LBS
C200S060X	2"	6'	72"	13"	36"	58
C200S080X	2"	8'	96"	21"	36"	72
C200S100X	2"	10'	120"	28"	36"	85
C200S120X	2"	12'	144"	36"	36"	99
C200S140X	2"	14'	168"	44"	36"	112
C200S150X	2"	15'	180"	48"	36"	122
C200S160X	2"	16'	186"	52"	36"	171
C200S180X	2"	18'	210"	60"	36"	188
C200S200X	2"	20'	234"	68"	36"	205

SINGLE FLOODLIGHT BRACKET

WOOD POLE MOUNTING



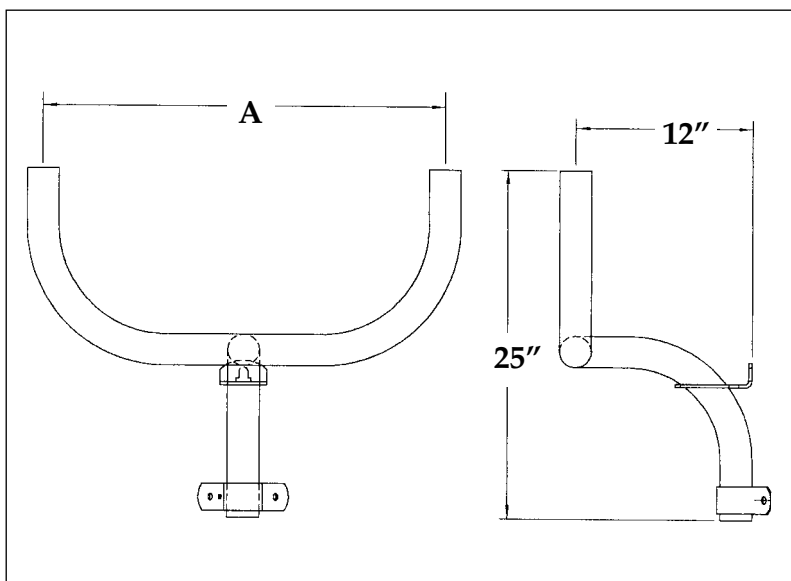
- Mounting hardware not included
- Finish: Primer
Hot dip galvanized

STEEL

CATALOG NO.	PIPE SIZE	A	B	WT/LBS
◆ SF-18G	2"	18"	23"	15
◆ SF-07P	2"	7"	20"	11
◆ SF-07G	2"	7"	20"	12

DOUBLE FLOODLIGHT BRACKET

WOOD POLE MOUNTING



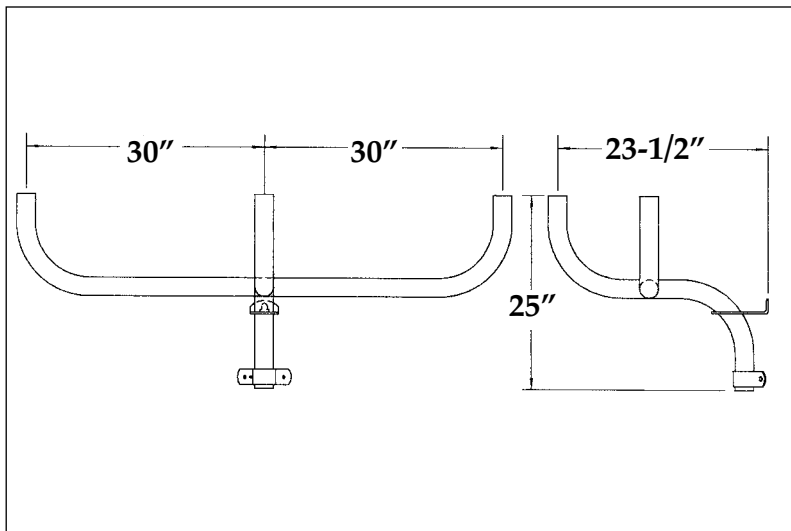
- Mounting hardware not included
- Finish: Primer
Hot dip galvanized

STEEL

CATALOG NO.	PIPE SIZE.	A	WT/LBS
◆ DF-30P	2"	30"	25
◆ DF-30G	2"	30"	27
◆ indicates stock item (in limited quantity)			

TRIPLE FLOODLIGHT BRACKET

WOOD POLE MOUNTING



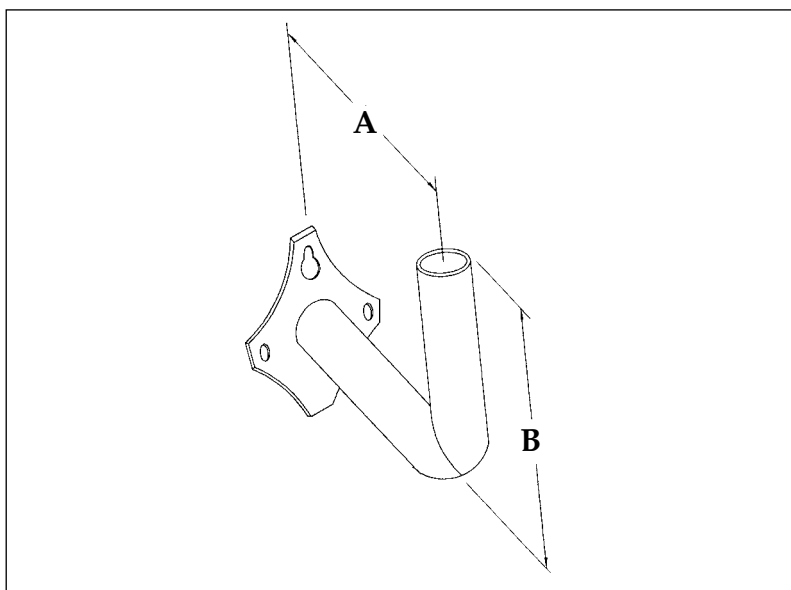
- Mounting hardware not included
- Finish: Hot dip galvanized
- For primer, substitute "P" in place of "G"

STEEL

CATALOG NO.	PIPE SIZE.	WT/LBS
◆ TF-30G	2"	43

RIGHT ANGLE BRACKET

WOOD POLE MOUNTING



- Mounting hardware not included
- Finish: Primer
- For hot dip galvanized, substitute "G" in place of "P"

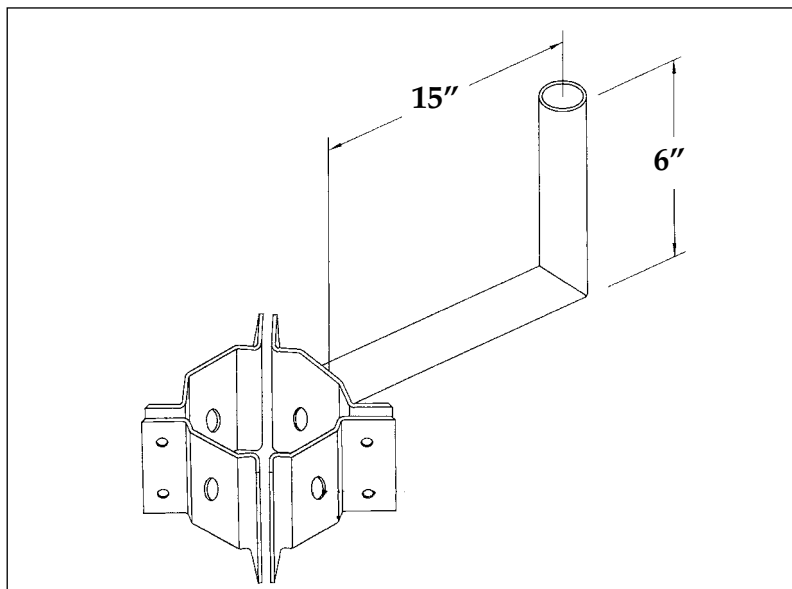
STEEL

CATALOG NO.	PIPE SIZE	A	B	WT/LBS
◆ RAB-WM-P	2"	12"	13"	12
RABH-WM-P	2"	8-1/2"	8"	11
RABH14-WM-P	2"	14-1/2"	8"	12

◆ indicates stock item (in limited quantity)

WRAP AROUND BRACKET – ONE ARM

WOOD POLE MOUNTING



- All brackets shipped complete with hardware
- Finish: Primer
- For hot dip galvanized, substitute "G" in place of "P"

STEEL

CATALOG NO.

- ◆ W1-P-7-10
- ◆ W1-P-10-13

POLE DIA.

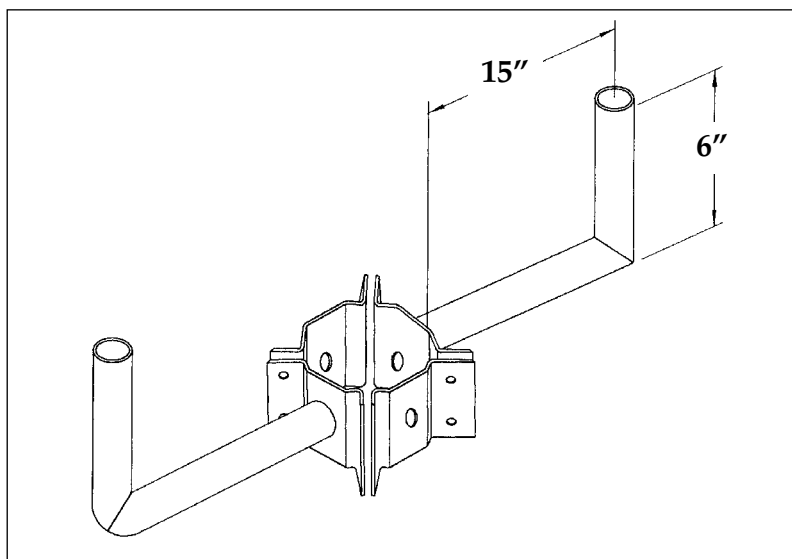
- 7"-10"
- 10"-13"

WT/LBS

- 21
- 21

WRAP AROUND BRACKET – TWO ARM

WOOD POLE MOUNTING



- All brackets shipped complete with hardware
- Finish: Primer
- For hot dip galvanized, substitute "G" in place of "P"

STEEL

CATALOG NO.

- ◆ W2-P-7-10
- ◆ W2-P-10-13
- ◆ indicates stock item (in limited quantity)

POLE DIA.

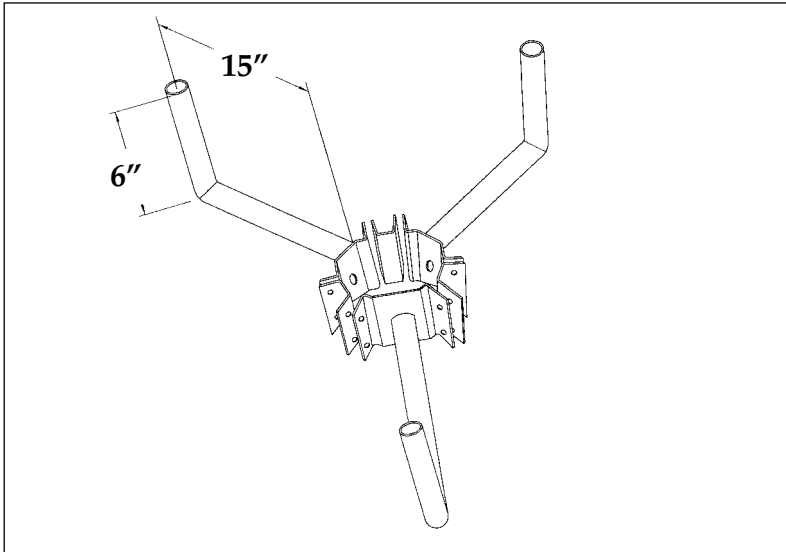
- 7"-10"
- 10"-13"

WT/LBS

- 28
- 28

WRAP AROUND BRACKET – THREE ARM

WOOD POLE MOUNTING



- All brackets shipped complete with hardware
- Finish: Primer
- For hot dip galvanized, substitute "G" in place of "P"

STEEL

CATALOG NO.

- ◆ W3-P-7-10
- ◆ W3-P-10-13

POLE DIA.

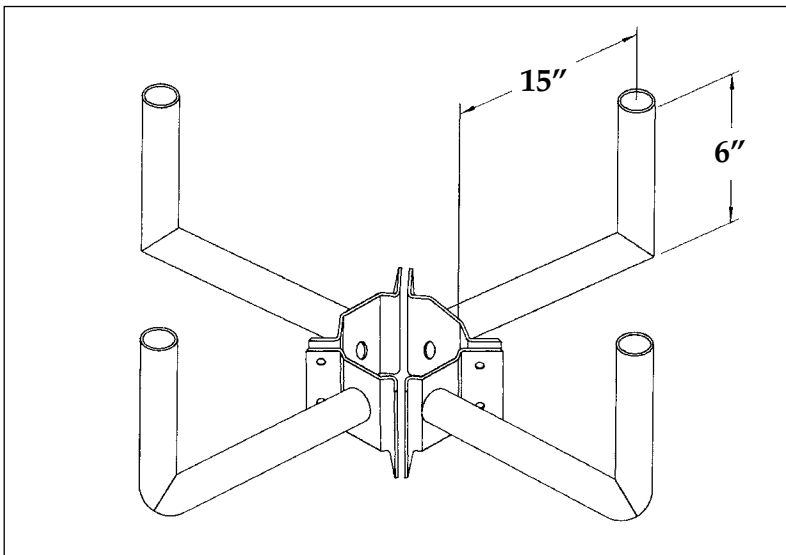
- 7"-10"
- 10"-13"

WT/LBS

- 32
- 35

WRAP AROUND BRACKET – FOUR ARM

WOOD POLE MOUNTING



- All brackets shipped complete with hardware
- Finish: Primer
- For hot dip galvanized, substitute "G" in place of "P"

STEEL

CATALOG NO.

- ◆ W4-P-7-10
- ◆ W4-P-10-13

POLE DIA.

- 7"-10"
- 10"-13"

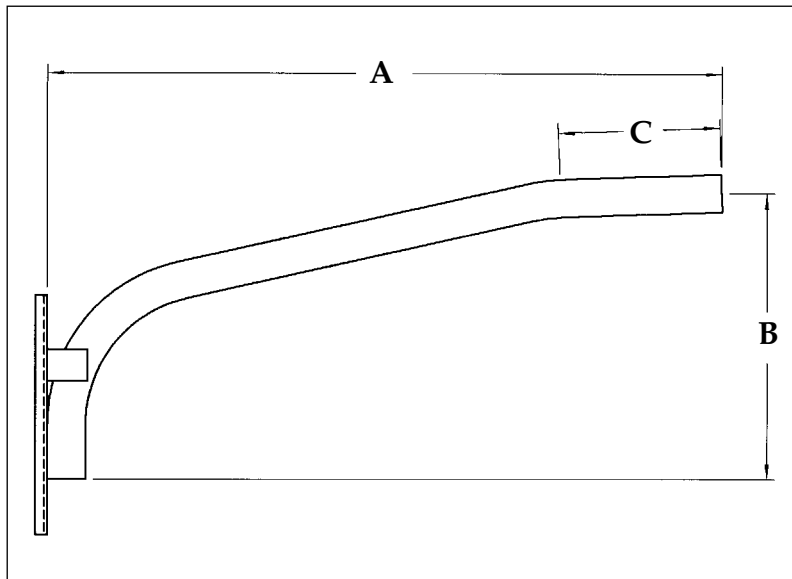
WT/LBS

- 43
- 43

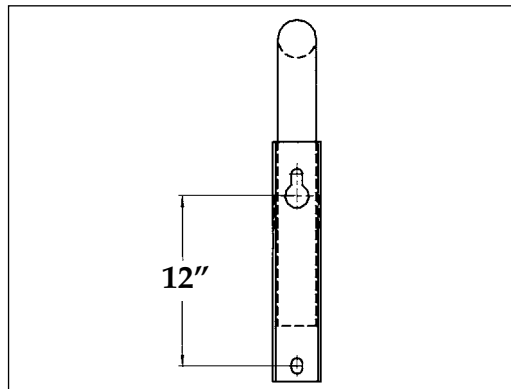
◆ indicates stock item (in limited quantity)

"P" SERIES - CANTILEVER STYLE BRACKET W/UNIVERSAL BASE

CONCRETE & STEEL POLE MOUNTING



- Round poles
- Square poles 4" and larger
- Octagonal poles having minimum 4" flat
- Mounting hardware not included



ALUMINUM

CATALOG NO.	PIPE SIZE	NOM. LGTH.	A	B	C	WT/LBS
P125A040B	1-1/4"	4'	42"	18"	10"	6
P200A040B	2"	4'	42"	18"	10"	8
◆ P200A060B	2"	6'	66"	24"	12"	11
P200A080B	2"	8'	90"	30"	15"	14

STEEL

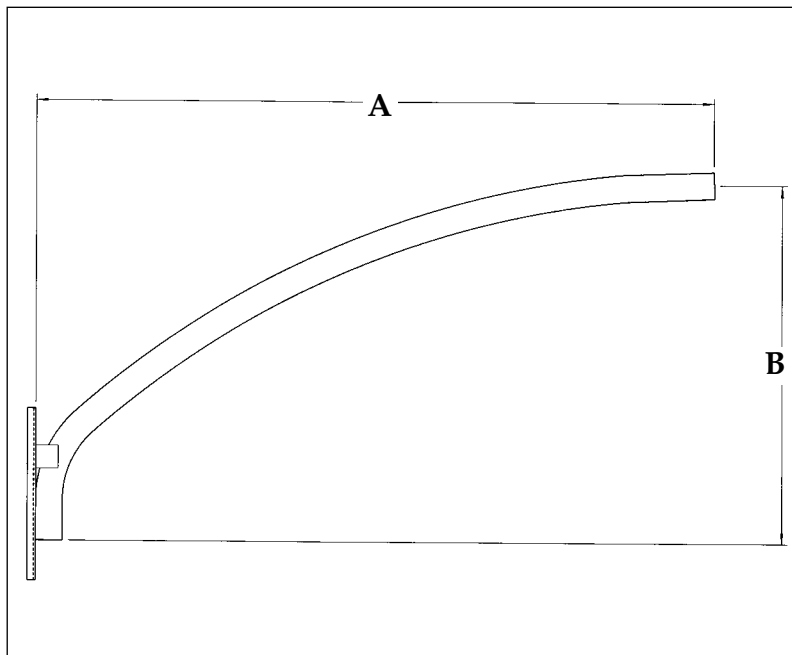
CATALOG NO.	PIPE SIZE	NOM. LGTH.	A	B	C	WT/LBS
P125S040B	1-1/4"	4'	42"	18"	10"	13
P125S060B	1-1/4"	6'	66"	24"	12"	17
P200S040B	2"	4'	42"	18"	10"	18
P200S060B	2"	6'	66"	24"	12"	24
P200S080B*	2"	8'	90"	30"	15"	30

*Also available with 1-1/4" slipfit end.

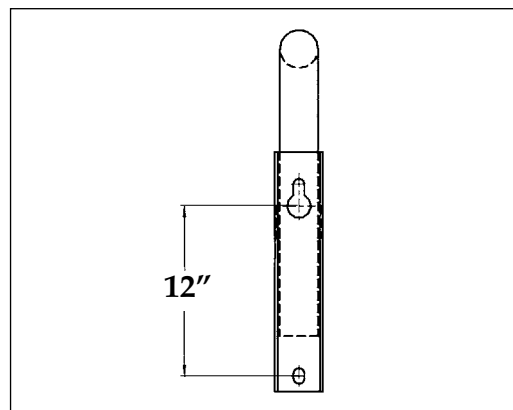
◆ indicates stock item (in limited quantity)

"U" SERIES - CONTINUOUS UPSWEEP BRACKET W/UNIVERSAL BASE

CONCRETE & STEEL POLE MOUNTING



- Round poles
- Square poles 4" and larger
- Octagonal poles having minimum 4" flat
- Finish: hot dip galvanized
- Mounting hardware not included



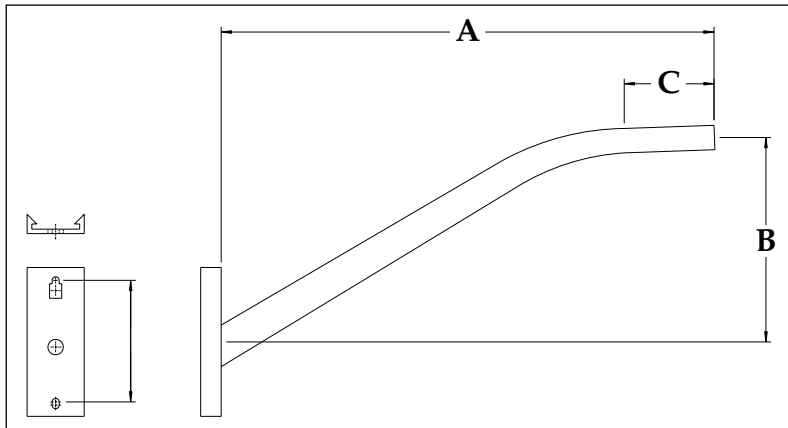
STEEL

CATALOG NO.	PIPE SIZE	NOM. LGTH.	A	B	WT/LBS
◆U125S040B	1 1/4"	4"	43"	22"	16
◆U200S060B	2"	6"	66"	30"	29
U200S080B	2"	8"	90"	30"	36

◆ indicates stock item (in limited quantity)

"B" SERIES - TAPERED ELLIPTICAL BRACKET

CONCRETE & STEEL POLE MOUNTING



FOR ROUND POLES

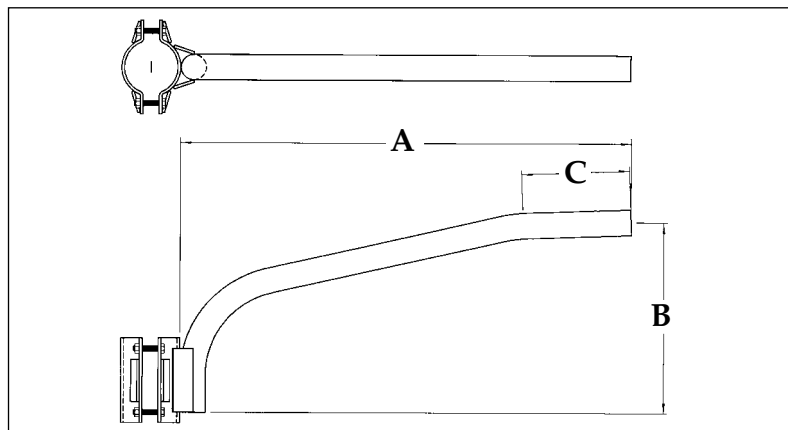
- Mounting hardware not included
- Wiring access optional
- Consult manufacturer for mounting hole spacing

ALUMINUM

CATALOG NO.	PIPE SIZE	NOM. LGTH.	A	B	C	WT/LBS
◆B200A026-4.0	2"	2'-6"	30"	12"	10"	9
◆B200A040-3.0	2"	4'	48"	20 1/4"	8 3/4"	10
◆B200A060-3.5	2"	6'	72"	30 7/8"	10"	17
◆B200A080-4.0	2"	8'	96"	44 7/8"	9"	19
◆B200A100-4.0	2"	10'	120"	51 1/8"	12"	21

"E" SERIES - CANTILEVER STYLE BRACKET

CONCRETE & STEEL POLE MOUNTING



FOR ROUND POLES

- Mounting hardware included
- Indicate pole diameter when ordering
- Finish: Hot dip galvanized
- Also available: square and octagonal pole mounting

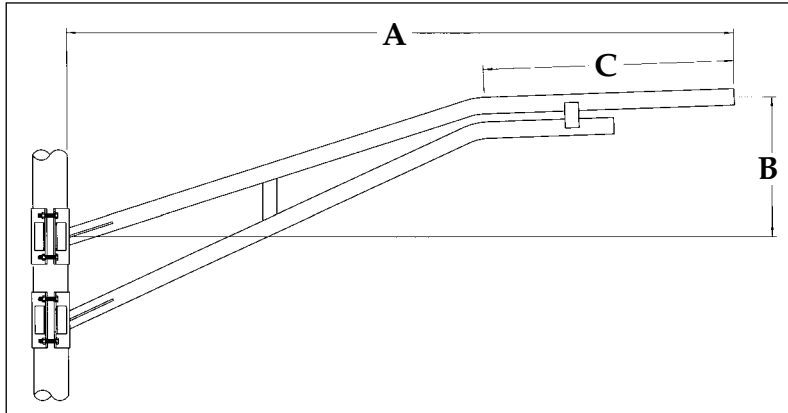
STEEL

CATALOG NO.	PIPE SIZE	NOM. LGTH.	A	B	C
E125S026NX	1-1/4"	2'-6"	30"	15"	10"
E125S040NX	1-1/4"	4'	42"	19"	10"
E125S060NX	1-1/4"	6'	66"	24"	12"
E200S026NX	2"	2'-6"	30"	15"	10"
E200S040NX	2"	4'	42"	19"	10"
E200S060NX	2"	6'	66"	24"	12"
E200S080NX	2"	8'	90"	30"	15"

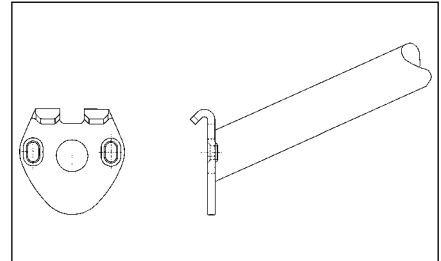
◆ indicates stock item (in limited quantity)

TRUSS BRACKET

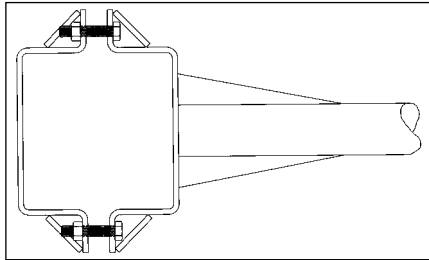
CONCRETE & STEEL POLE MOUNTING



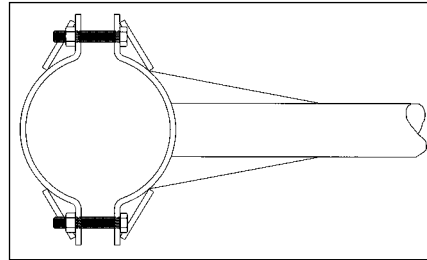
- Indicate pole size and mounting style when ordering
- Octagonal pole mounting also available



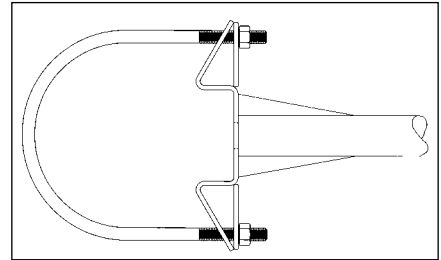
Simplex Mounting (Add SIMPX to P/N)



Square Pole Mounting
Mounting Hardware Included.



Round Pole Mounting
Mounting Hardware Included.



U-Bolt Mounting for Round Pole
Mounting Hardware Included.

ALUMINUM

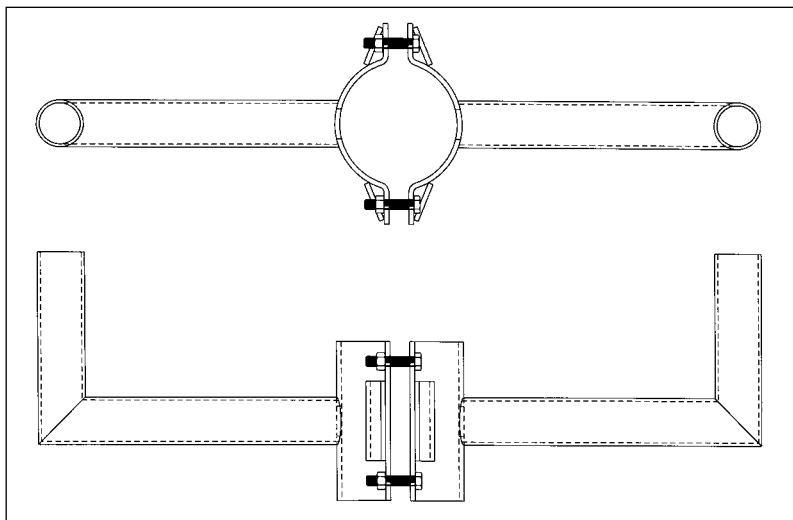
CATALOG NO.	PIPE SIZE	NOM. LGTH.	A	B	C	WT/LBS
C200A060NX	2"	6'	72"	13"	36"	20
C200A080NX	2"	8'	96"	21"	36"	25
C200A100NX	2"	10'	120"	28"	36"	30
C200A120NX	2"	12'	144"	36"	36"	35
C200A140NX	2"	14'	168"	44"	36"	40
C200A150NX	2"	15'	180"	48"	36"	45

STEEL

CATALOG NO.	PIPE SIZE	NOM. LGTH.	A	B	C	WT/LBS
C200S060NX	2"	6'	72"	13"	36"	58
C200S080NX	2"	8'	96"	21"	36"	72
C200S100NX	2"	10'	120"	28"	36"	85
C200S120NX	2"	12'	144"	36"	36"	99
C200S140NX	2"	14'	168"	44"	36"	112
C200S150NX	2"	15'	180"	48"	36"	122
C200S160NX	2"	16'	186"	52"	36"	171
C200S180NX	2"	18'	210"	60"	36"	188
C200S200NX	2"	20'	234"	68"	36"	205

RIGHT ANGLE WRAP BRACKET FOR ROUND POLES

CONCRETE & STEEL POLE MOUNTING



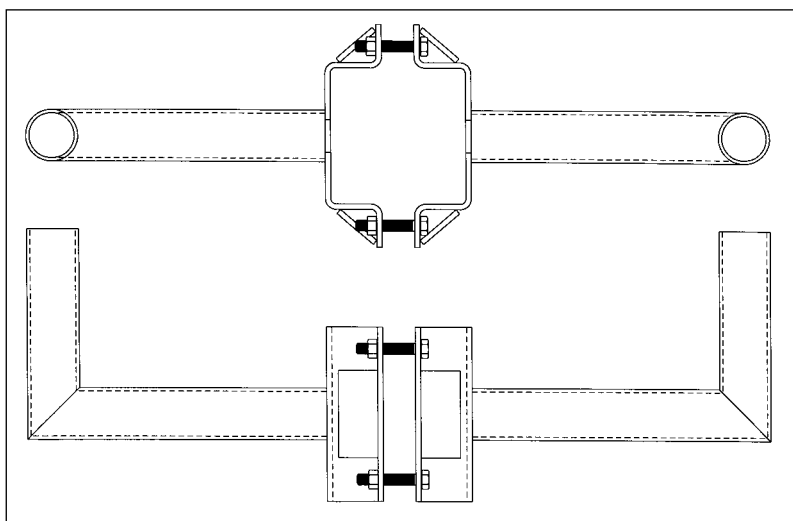
- Indicate pole size when ordering
- Fixture mounting hardware included
- Specify finish: "G" for hot dip galvanized, "P" for primer, "DB" for dark bronze
- Single arm and 18" arms are also available
- Wrap brackets for octagonal poles are also available

STEEL

CATALOG NO.	ARM	PIPE SIZE	HORIZONTAL	VERTICAL
RABH-14-RNDB	SINGLE	2"	14"	8"
RABH-14-RNDB2	DOUBLE	2"	14"	8"

RIGHT ANGLE WRAP BRACKET FOR SQUARE POLES

CONCRETE & STEEL POLE MOUNTING

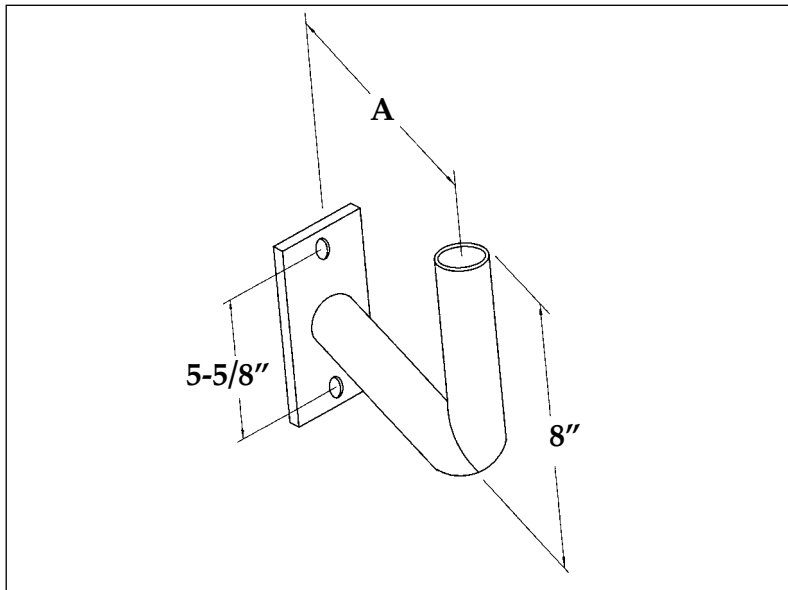


- Indicate pole size when ordering
- Fixture mounting hardware included
- Specify finish: "G" for hot dip galvanized, "P" for primer, "DB" for dark bronze
- Single arm and 18" arms are also available
- Wrap brackets for octagonal poles are also available

STEEL

CATALOG NO.	ARM	PIPE SIZE	HORIZONTAL	VERTICAL
RABH-14-SNDB	SINGLE	2"	14"	8"
RABH-14-SNDB2	DOUBLE	2"	14"	8"

HEAVY RIGHT ANGLE BRACKET



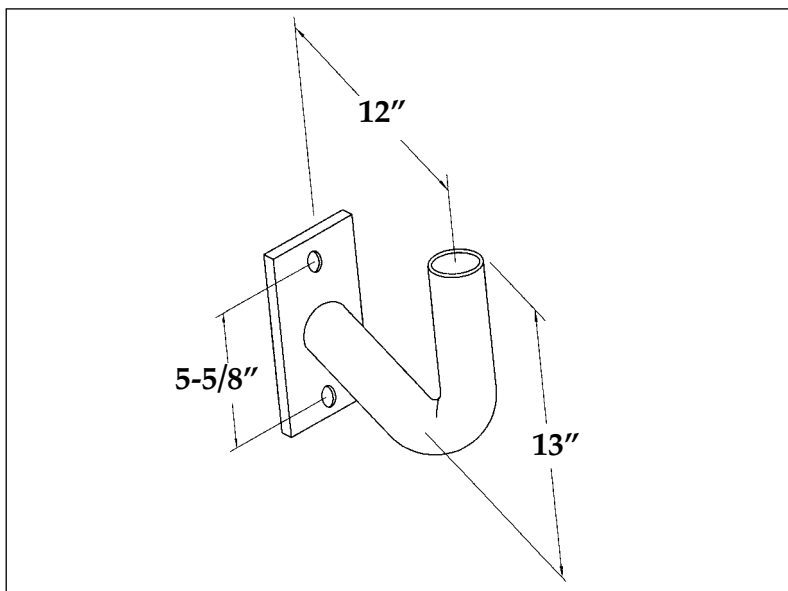
SQUARE POLE MOUNTING

- Minimum 4" square pole
- 9/16" diameter mounting holes
- 3-3/4" x 7" mounting plate
- Mounting hardware not included
- Finish: Primer
- For hot dip galvanized, substitute "G" in place of "P"
- For dark bronze, substitute "DB" in place of "P"

STEEL

CATALOG NO.	PIPE SIZE	A	WT/LBS
RABHX-P	2"	8-1/2"	8
RABHX-14-P	2"	14"	10

RIGHT ANGLE BRACKET



SQUARE POLE MOUNTING

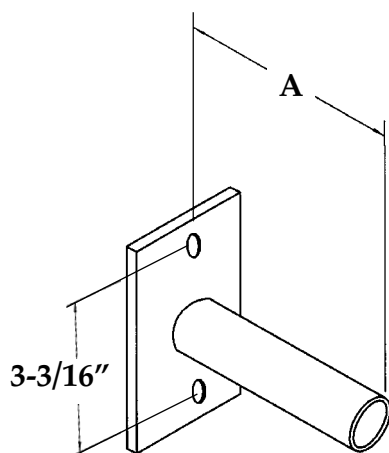
- Minimum 4" square pole
- 9/16" diameter mounting holes
- 3-3/4" x 7" mounting plate
- Mounting hardware not included
- Finish: Primer
- For hot dip galvanized, substitute "G" in place of "P"
- For dark bronze, substitute "DB" in place of "P"

STEEL

CATALOG NO.	PIPE SIZE	WT/LBS
◆ RABX-P	2"	7
◆ indicates stock item (in limited quantity)		

SIDE TENON BRACKET

SQUARE POLE MOUNTING

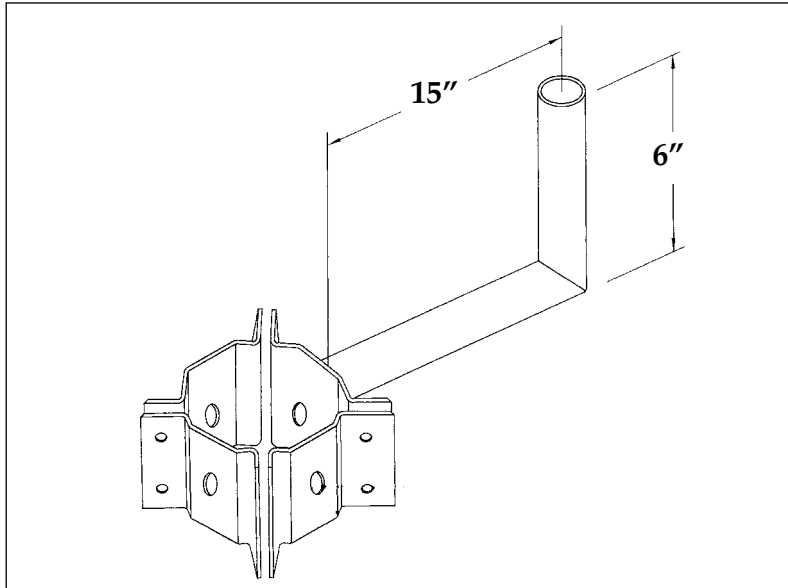


- Minimum 4" square pole
- 9/16" diameter mounting holes
- 4" x 5-1/4" mounting plate
- Mounting hardware not included
- Finish: Primer
- For hot dip galvanized, substitute "G" in place of "P"
- For dark bronze, substitute "DB" in place of "P"

STEEL

CATALOG NO.	PIPE SIZE	PIPE LENGTH A	WT/LBS
ST-1-6P	1-1/4"	6-1/2"	4
ST-1-8P	1-1/4"	8"	4
ST-2-6P	2"	6-1/2"	4
ST-2-8P	2"	8"	4

WRAP AROUND BRACKET – ONE ARM



STEEL

CATALOG NO.

- ◆ W1-P-7-10
- ◆ W1-P-10-13

POLE DIA.

- 7"-10"
- 10"-13"

WT/LBS

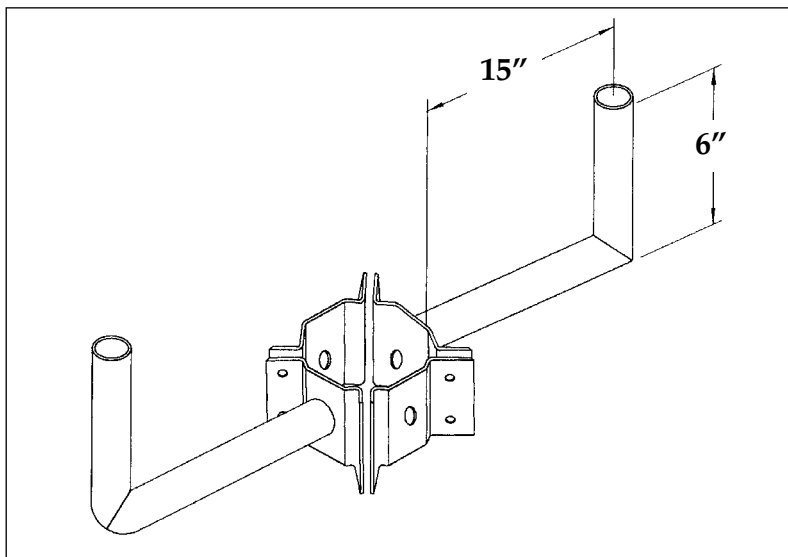
- 21
- 21

CONCRETE & STEEL POLE MOUNTING

FOR ROUND POLES

- All brackets shipped complete with hardware
- Finish: Primer
- For hot dip galvanized, substitute "G" in place of "P"

WRAP AROUND BRACKET – TWO ARM



STEEL

CATALOG NO.

- ◆ W2-P-7-10
- ◆ W2-P-10-13
- ◆ indicates stock item (in limited quantity)

POLE DIA.

- 7"-10"
- 10"-13"

WT/LBS

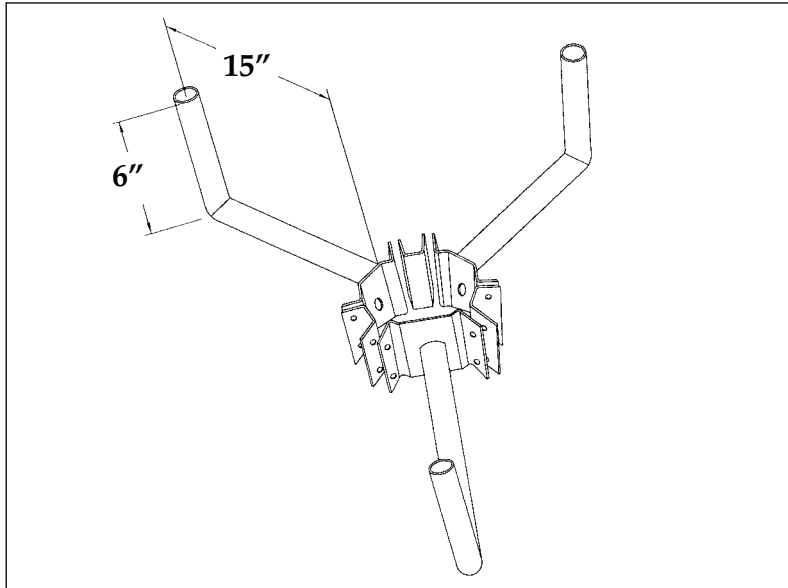
- 28
- 28

CONCRETE & STEEL POLE MOUNTING

FOR ROUND POLES

- All brackets shipped complete with hardware
- Finish: Primer
- For hot dip galvanized, substitute "G" in place of "P"

WRAP AROUND BRACKET – THREE ARM



STEEL

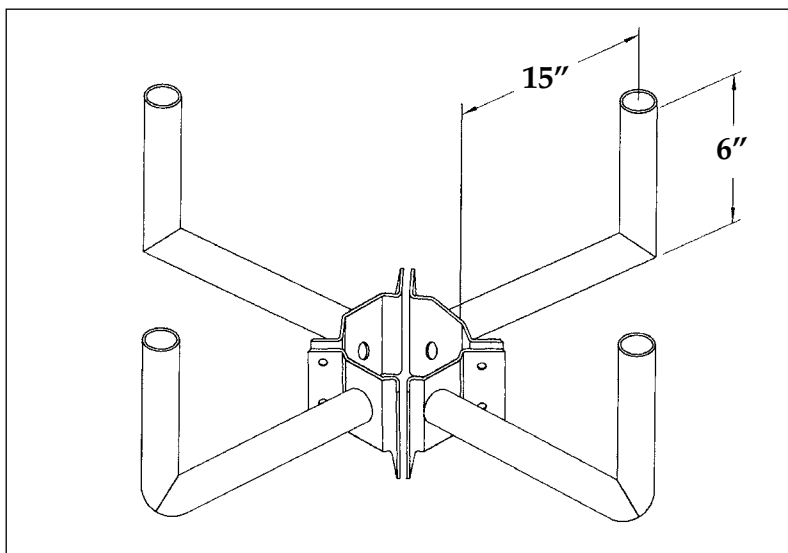
CATALOG NO.	POLE DIA.	WT/LBS
◆ W3-P-7-10	7"-10"	32
◆ W3-P-10-13	10"-13"	35

CONCRETE & STEEL POLE MOUNTING

FOR ROUND POLES

- All brackets shipped complete with hardware
- Finish: Primer
- For hot dip galvanized, substitute "G" in place of "P"

WRAP AROUND BRACKET – FOUR ARM



STEEL

CATALOG NO.	POLE DIA.	WT/LBS
◆ W4-P-7-10	7"-10"	43
◆ W4-P-10-13	10"-13"	43
◆ indicates stock item (in limited quantity)		

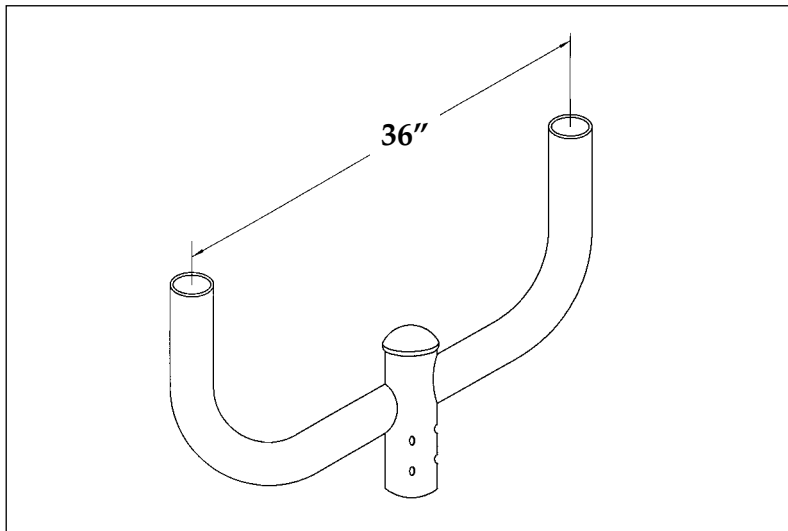
CONCRETE & STEEL POLE MOUNTING

FOR ROUND POLES

- All brackets shipped complete with hardware
- Finish: Primer
- For hot dip galvanized, substitute "G" in place of "P"

BULL HORN BRACKET – TWO LIGHT

POLE TOP MOUNTING



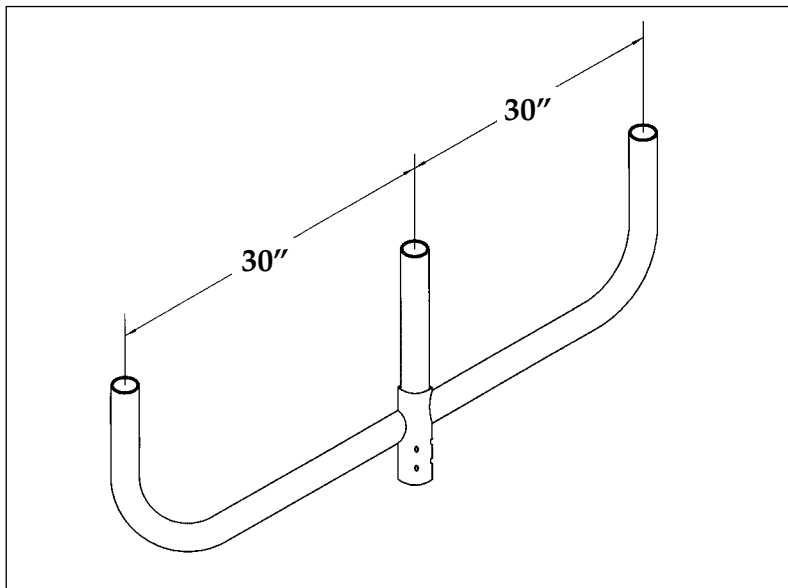
- Shipped with removable cap and mounting hardware assembled
- Finish: Primer
- For hot dip galvanized, substitute "G" in place of "P"
- For dark bronze, substitute "DB" in place of "P"

STEEL

CATALOG NO.	NUMBER TENONS	POLE TENON SIZE	WT/LBS
◆ S2-S36-2P	2 in line	2-3/8"	20
◆ S2-S36-3P	2 in line	2-7/8"	22
◆ S2-S36-4P	2 in line	4"	25

BULL HORN BRACKET – THREE LIGHT

POLE TOP MOUNTING



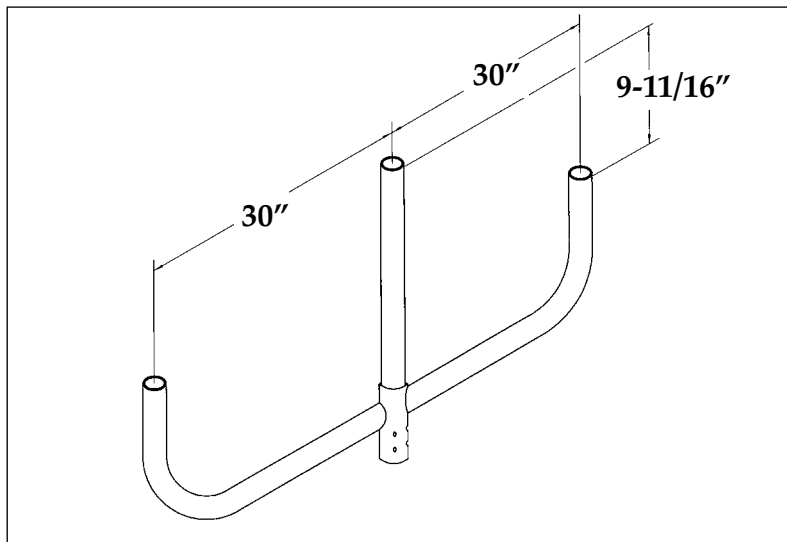
- Shipped with mounting hardware assembled
- Finish: Primer
- For hot dip galvanized, substitute "G" in place of "P"
- For dark bronze, substitute "DB" in place of "P"

STEEL

CATALOG NO.	NUMBER TENONS	POLE TENON SIZE	WT/LBS
◆ S3-S30-2P	3 in line	2-3/8"	31
◆ S3-S30-3P	3 in line	2-7/8"	33
◆ S3-S36-4P	3 in line	4"	37
◆ indicates stock item (in limited quantity)			

BULL HORN BRACKET – THREE LIGHT WITH EXTENDED CENTER TENON

POLE TOP MOUNTING



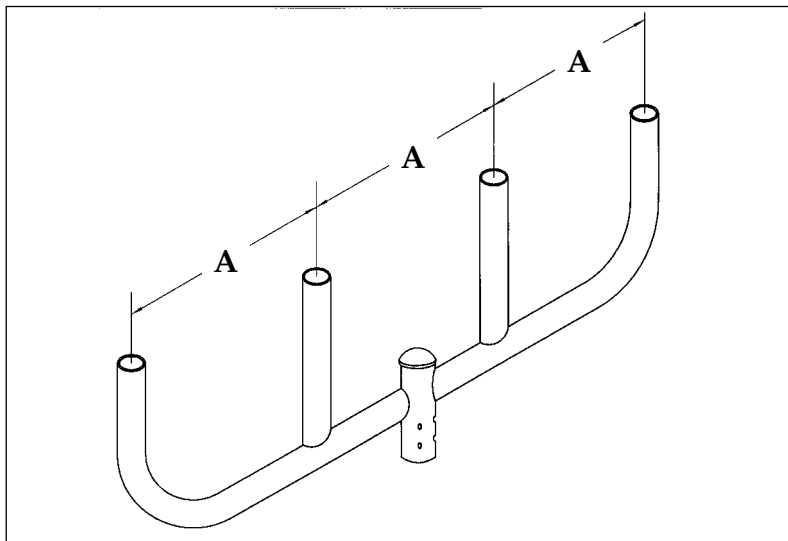
- Shipped with mounting hardware assembled
- Finish: Primer
- For hot dip galvanized, substitute "G" in place of "P"
- For dark bronze, substitute "DB" in place of "P"

STEEL

CATALOG NO.	NUMBER TENONS	POLE TENON SIZE	WT/LBS
S3-S30-2PX	3 in line	2-3/8"	34
S3-S30-3PX	3 in line	2-7/8"	36
S3-S30-4PX	3 in line	4"	40

BULL HORN BRACKET – FOUR LIGHT

POLE TOP MOUNTING



- Shipped with removable cap and mounting hardware assembled
- Finish: Primer
- For hot dip galvanized, substitute "G" in place of "P"
- For dark bronze, substitute "DB" in place of "P"

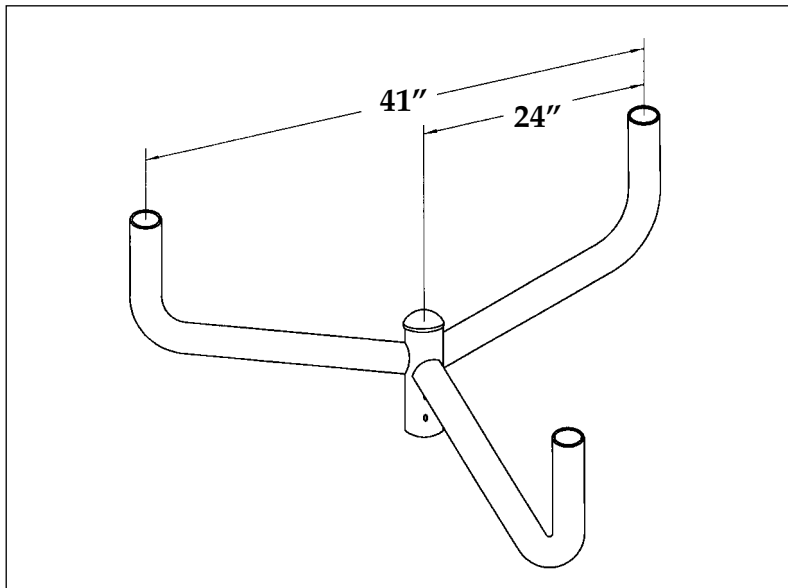
STEEL

CATALOG NO.	NUMBER TENONS	A	POLE TENON SIZE	WT/LBS
◆ S4-S30-2P	4 in line	30"	2-3/8"	44
S4-S30-3P	4 in line	30"	2-7/8"	46
S4-S36-4P	4 in line	36"	4"	55

◆ indicates stock item (in limited quantity)

BULL HORN BRACKET – THREE LIGHT

POLE TOP MOUNTING



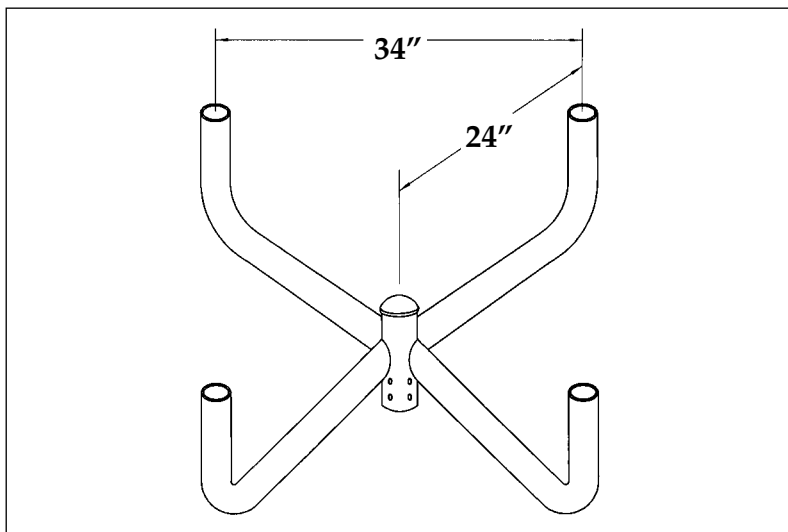
- Shipped with removable cap and mounting hardware assembled
- Finish: Primer
- For hot dip galvanized, substitute "G" in place of "P"
- For dark bronze, substitute "DB" in place of "P"

STEEL

CATALOG NO.	NUMBER TENONS	POLE TENON SIZE	WT/LBS
◆ S3-A24-2P	3 @ 120°	2-3/8"	33
S3-A24-3P	3 @ 120°	2-7/8"	35
S3-A24-4P	3 @ 120°	4"	39

BULL HORN BRACKET – FOUR LIGHT

POLE TOP MOUNTING



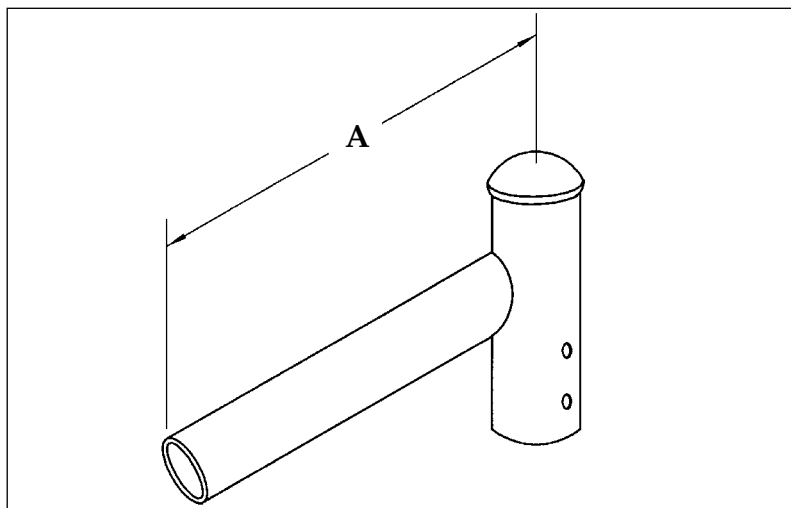
- Shipped with removable cap and mounting hardware assembled
- Finish: Primer
- For hot dip galvanized, substitute "G" in place of "P"
- For dark bronze, substitute "DB" in place of "P"

STEEL

CATALOG NO.	NUMBER TENONS	POLE TENON SIZE	WT/LBS
◆ S4-A24-2P	4 @ 90°	2-3/8"	43
S4-A24-3P	4 @ 90°	2-7/8"	45
S4-A24-4P	4 @ 90°	4"	47

◆ indicates stock item (in limited quantity)

SPOKE BRACKET – ONE ARM



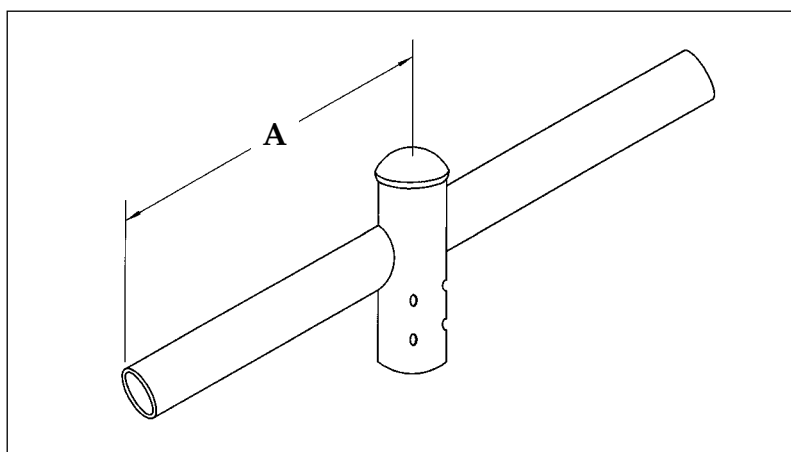
POLE TOP MOUNTING

- Shipped with removable cap and mounting hardware assembled
- Catalog number shown to slipfit on 2-3/8" pole tenon
- Also available to slipfit 2-7/8" & 4" pole tenons
- Finish: Primer
- For hot dip galvanized, substitute "G" in place of "P"
- For dark bronze, substitute "DB" in place of "P"

STEEL

CATALOG NO.	NUMBER TENONS	A	WT/LBS
SB-100-08-2P	1	8"	6
◆ SB-100-12-2P	1	12"	7
SB-100-15-2P	1	15"	8
◆ SB-100-24-2P	1	24"	11
SB-100-30-2P	1	30"	13
SB-100-36-2P	1	36"	15

SPOKE BRACKET – TWO ARM



POLE TOP MOUNTING

- Shipped with removable cap and mounting hardware assembled
- Catalog number shown to slipfit on 2-3/8" pole tenon
- Also available to slipfit 2-7/8" & 4" pole tenons
- Finish: Primer
- For hot dip galvanized, substitute "G" in place of "P"
- For dark bronze, substitute "DB" in place of "P"

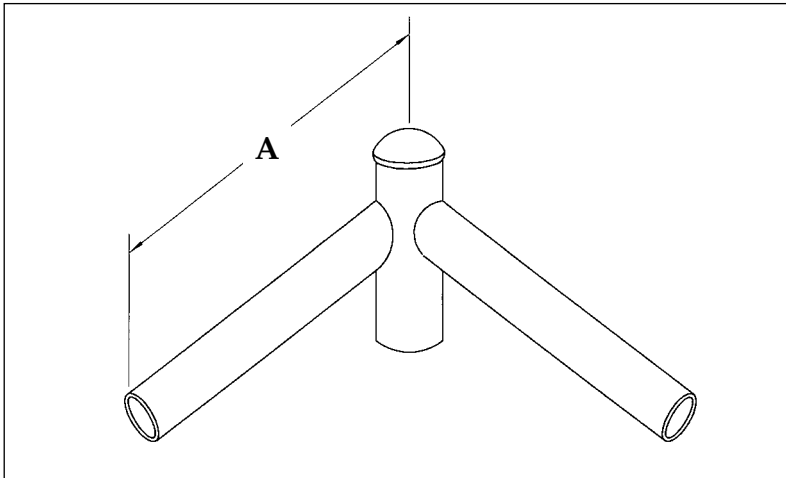
STEEL

CATALOG NO.	NUMBER TENONS	A	WT/LBS
SB-218-08-2P	2 @ 180°	8"	9
SB-218-12-2P	2 @ 180°	12"	11
◆ SB-218-15-2P	2 @ 180°	15"	13
SB-218-24-2P	2 @ 180°	24"	18
SB-218-30-2P	2 @ 180°	30"	22
SB-218-36-2P	2 @ 180°	36"	26

◆ indicates stock item (in limited quantity)

SPOKE BRACKET - TWO ARM

POLE TOP MOUNTING



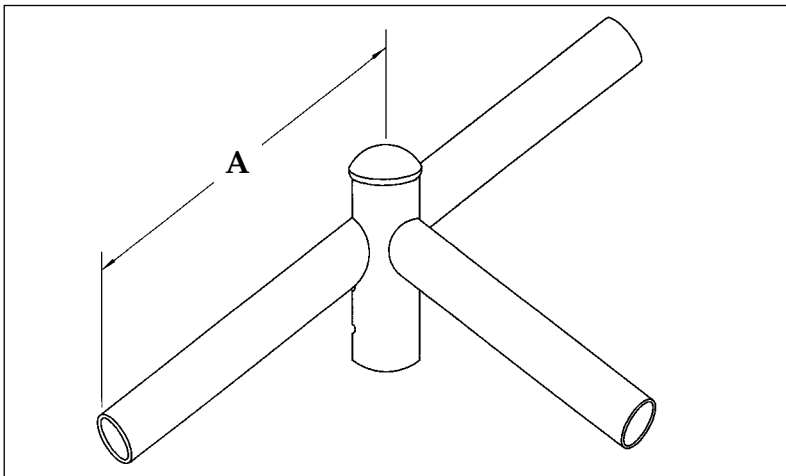
- Shipped with removable cap and mounting hardware assembled
- Catalog number shown to slipfit on 2-3/8" pole tenon
- Also available to slipfit 2-7/8" & 4" pole tenons
- Finish: Primer
- For hot dip galvanized, substitute "G" in place of "P"
- For dark bronze, substitute "DB" in place of "P"

STEEL

CATALOG NO.	NUMBER TENONS	A	WT/LBS
SB-290-08-2P	2 @ 90°	8"	9
SB-290-12-2P	2 @ 90°	12"	11
SB-290-15-2P	2 @ 90°	15"	13
SB-290-24-2P	2 @ 90°	24"	18
SB-290-30-2P	2 @ 90°	30"	22
SB-290-36-2P	2 @ 90°	36"	26

SPOKE BRACKET - THREE ARM

POLE TOP MOUNTING

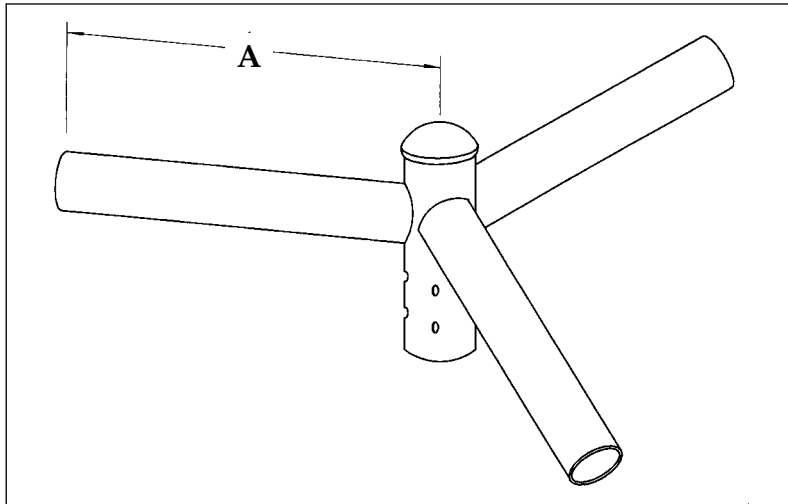


- Shipped with removable cap and mounting hardware assembled
- Catalog number shown to slipfit on 2-3/8" pole tenon
- Also available to slipfit 2-7/8" & 4" pole tenons
- Finish: Primer
- For hot dip galvanized, substitute "G" in place of "P"
- For dark bronze, substitute "DB" in place of "P"

STEEL

CATALOG NO.	NUMBER TENONS	A	WT/LBS
SB-390-08-2P	3 @ 90°	8"	11
SB-390-12-2P	3 @ 90°	12"	15
SB-390-15-2P	3 @ 90°	15"	17
SB-390-24-2P	3 @ 90°	24"	25
SB-390-30-2P	3 @ 90°	30"	30
SB-390-36-2P	3 @ 90°	36"	36

SPOKE BRACKET - THREE ARM



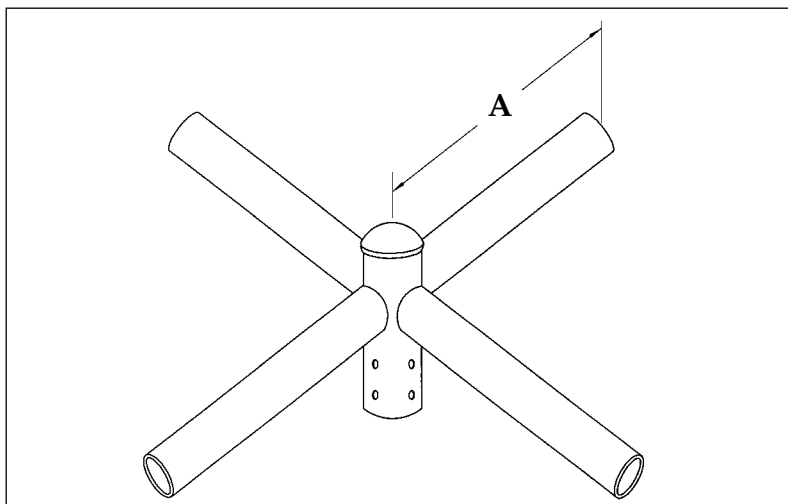
POLE TOP MOUNTING

- Shipped with removable cap and mounting hardware assembled
- Catalog number shown to slipfit on 2-3/8" pole tenon
- Also available to slipfit 2-7/8" & 4" pole tenons
- Finish: Primer
- For hot dip galvanized, substitute "G" in place of "P"
- For dark bronze, substitute "DB" in place of "P"

STEEL

CATALOG NO.	NUMBER TENONS	A	WT/LBS
SB-312-08-2P	3 @ 120°	8"	11
SB-312-12-2P	3 @ 120°	12"	15
SB-312-15-2P	3 @ 120°	15"	17
SB-312-24-2P	3 @ 120°	24"	25
SB-312-30-2P	3 @ 120°	30"	30
SB-312-36-2P	3 @ 120°	36"	36

SPOKE BRACKET - FOUR ARM



POLE TOP MOUNTING

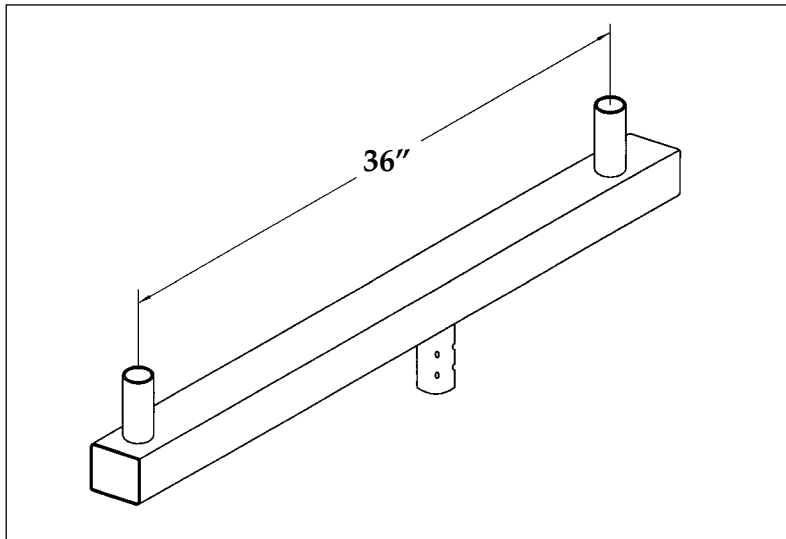
- Shipped with removable cap and mounting hardware assembled
- Catalog number shown to slipfit on 2-3/8" pole tenon
- Also available to slipfit 2-7/8" & 4" pole tenons
- Finish: Primer
- For hot dip galvanized, substitute "G" in place of "P"
- For dark bronze, substitute "DB" in place of "P"

STEEL

CATALOG NO.	NUMBER TENONS	A	WT/LBS
SB-490-08-2P	4 @ 90°	8"	13
SB-490-12-2P	4 @ 90°	12"	17
SB-490-15-2P	4 @ 90°	15"	21
SB-490-24-2P	4 @ 90°	24"	32
SB-490-30-2P	4 @ 90°	30"	39
SB-490-36-2P	4 @ 90°	36"	47

ROUND SQUARE ROUND BRACKET - TWO LIGHT

POLE TOP MOUNTING



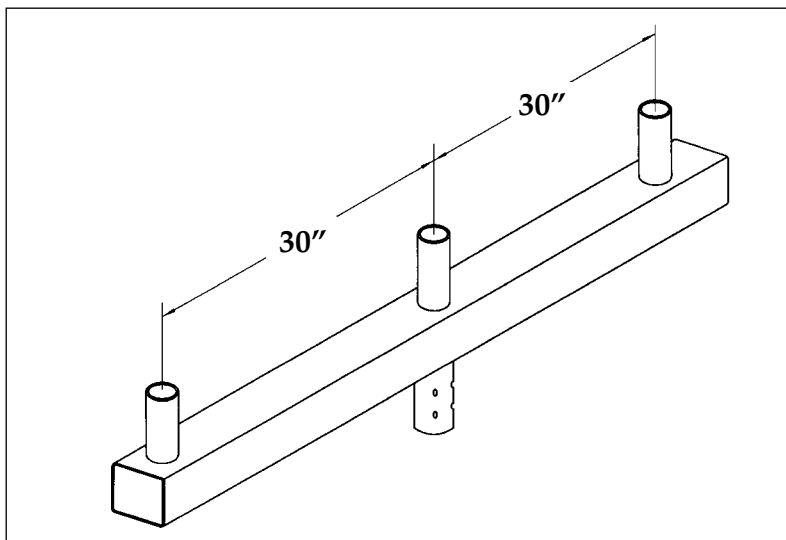
- Shipped with mounting hardware assembled
- Finish: Primer
- For hot dip galvanized, substitute "G" in place of "P"
- For dark bronze, substitute "DB" in place of "P"

STEEL

CATALOG NO.	NUMBER TENONS	POLE TENON SIZE	WT/LBS
◆ RSR-B2-2P	2 in line	2-3/8"	20
RSR-B2-3P	2 in line	2-7/8"	23
RSR-B2-4P	2 in line	4"	26

ROUND SQUARE ROUND BRACKET - THREE LIGHT

POLE TOP MOUNTING



- Shipped with mounting hardware assembled
- Finish: Primer
- For hot dip galvanized, substitute "G" in place of "P"
- For dark bronze, substitute "DB" in place of "P"

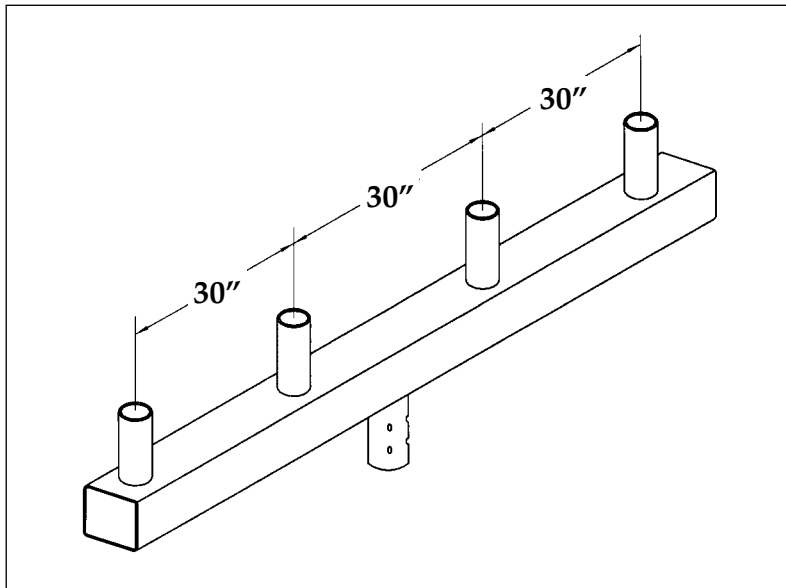
STEEL

CATALOG NO.	NUMBER TENONS	POLE TENON SIZE	WT/LBS
◆ RSR-B3-2P	3 in line	2-3/8"	31
RSR-B3-3P	3 in line	2-7/8"	33
RSR-B3-4P	3 in line	4"	37

◆ indicates stock item (in limited quantity)

ROUND SQUARE ROUND BRACKET - FOUR LIGHT

POLE TOP MOUNTING



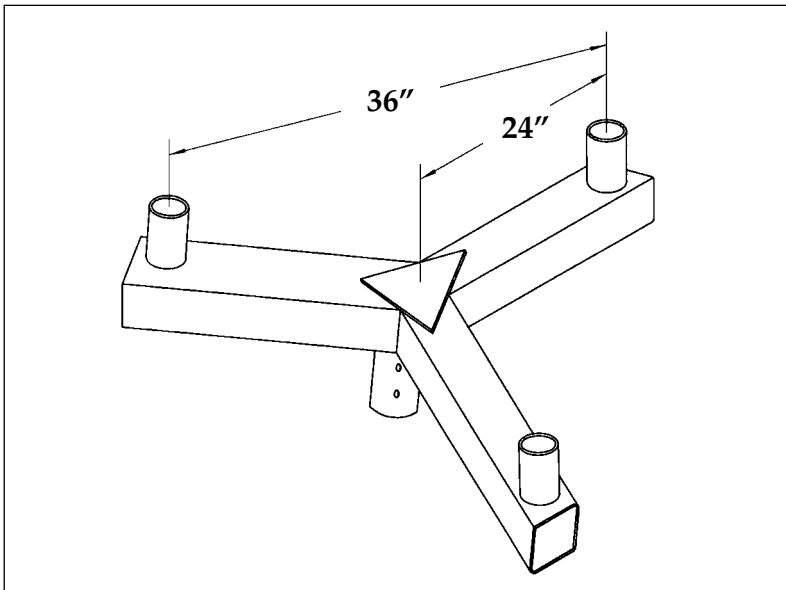
- Shipped with mounting hardware assembled
- Finish: Primer
- For hot dip galvanized, substitute "G" in place of "P"
- For dark bronze, substitute "DB" in place of "P"

STEEL

CATALOG NO.	NUMBER TENONS	POLE TENON SIZE	WT/LBS
RSR-B4-2P	4 in line	2-3/8"	44
RSR-B4-3P	4 in line	2-7/8"	46
RSR-B4-4P	4 in line	4"	50

ROUND SQUARE ROUND BRACKET - THREE LIGHT

POLE TOP MOUNTING



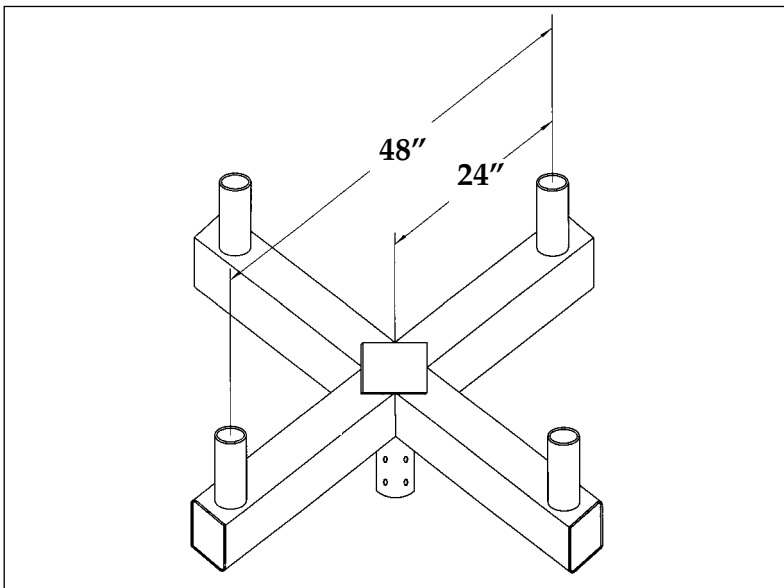
- Shipped with mounting hardware assembled
- Finish: Primer
- For hot dip galvanized, substitute "G" in place of "P"
- For dark bronze, substitute "DB" in place of "P"

STEEL

CATALOG NO.	NUMBER TENONS	POLE TENON SIZE	WT/LBS
RSR-T3-2P	3 @ 120°	2-3/8"	39
RSR-T3-3P	3 @ 120°	2-7/8"	42
RSR-T3-4P	3 @ 120°	4"	46

ROUND SQUARE ROUND BRACKET - FOUR LIGHT

POLE TOP MOUNTING



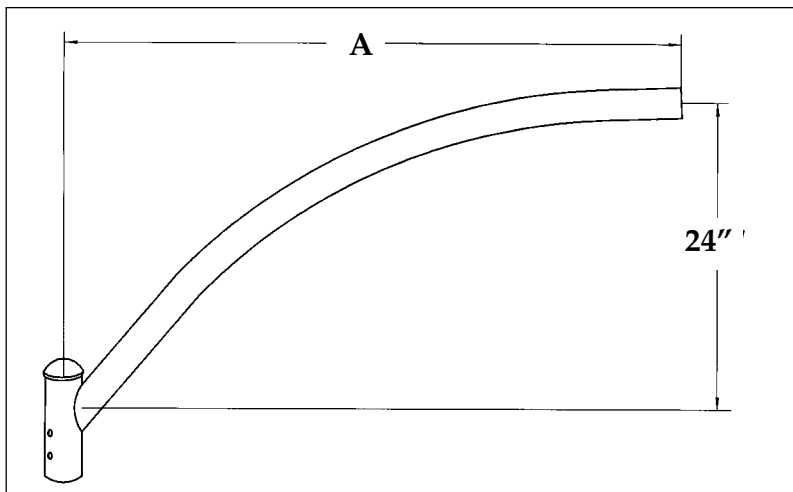
- Shipped with mounting hardware assembled
- Finish: Primer
- For hot dip galvanized, substitute "G" in place of "P"
- For dark bronze, substitute "DB" in place of "P"

STEEL

CATALOG NO.	NUMBER TENONS	POLE TENON SIZE	WT/LBS
RSR-T4-2P	4 @ 90°	2-3/8"	48
RSR-T4-3P	4 @ 90°	2-7/8"	51
RSR-T4-4P	4 @ 90°	4"	55

UPSWEEP BRACKET - ONE LIGHT

POLE TOP MOUNTING



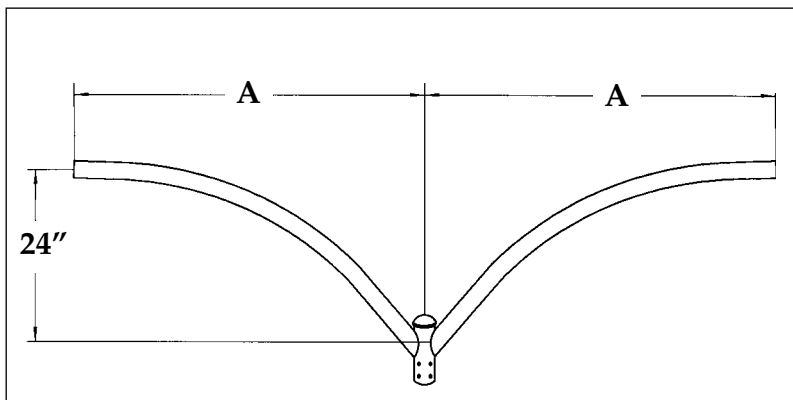
- Shipped with removable cap and mounting hardware assembled
- Finish: Primer
- For hot dip galvanized, substitute "G" in place of "P"
- For dark bronze, substitute "DB" in place of "P"

STEEL

CATALOG NO.	NUMBER ARMS	A	POLE TENON SIZE	WT/LBS
UB1-4-2P	1	48"	2-3/8"	21
UB1-4-3P	1	48"	2-7/8"	23
UB1-4-4P	1	48"	4"	27
◆ UB1-6-2P	1	72"	2-3/8"	28
UB1-6-3P	1	72"	2-7/8"	30
UB1-6-4P	1	72"	4"	34

UPSWEEP BRACKET - TWO LIGHT

POLE TOP MOUNTING



- Shipped with removable cap and mounting hardware assembled
- Finish: Primer
- For hot dip galvanized, substitute "G" in place of "P"
- For dark bronze, substitute "DB" in place of "P"

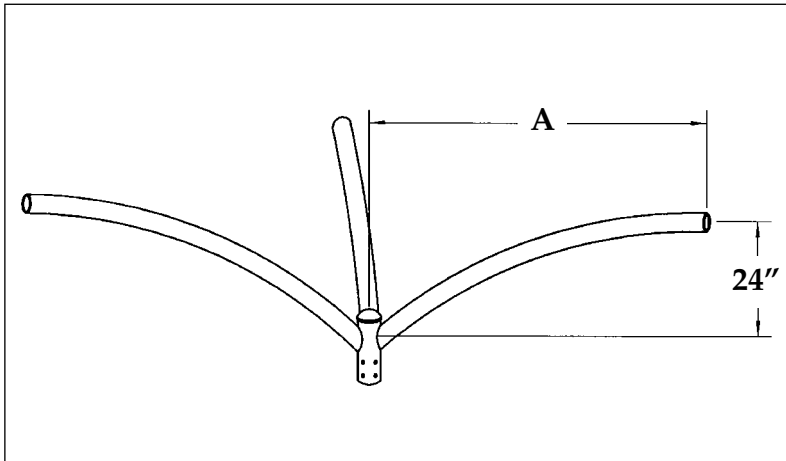
STEEL

CATALOG NO.	NUMBER ARMS	A	POLE TENON SIZE	WT/LBS
UB2-4-2P	2 @ 180°	48"	2-3/8"	38
UB2-4-3P	2 @ 180°	48"	2-7/8"	40
UB2-4-4P	2 @ 180°	48"	4"	44
◆ UB2-6-2P	2 @ 180°	72"	2-3/8"	52
UB2-6-3P	2 @ 180°	72"	2-7/8"	54
UB2-6-4P	2 @ 180°	72"	4"	58

◆ indicates stock item (in limited quantity)

UPSWEEP BRACKET - THREE LIGHT

POLE TOP MOUNTING



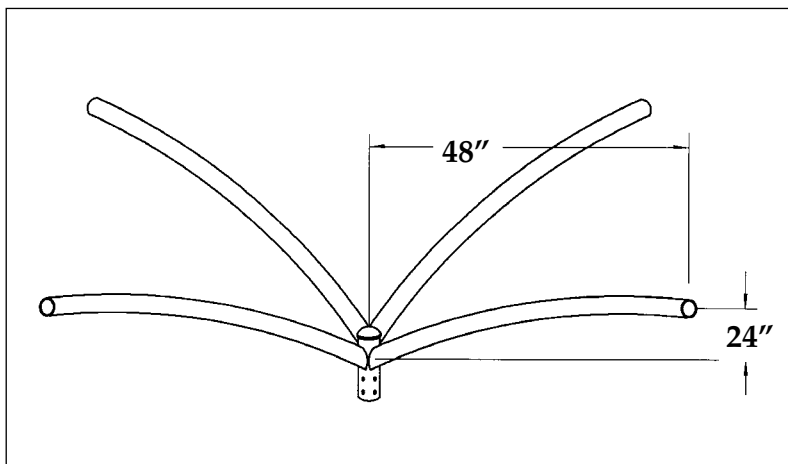
- Shipped with removable cap and mounting hardware assembled
- Finish: Primer
- For hot dip galvanized, substitute "G" in place of "P"
- For dark bronze, substitute "DB" in place of "P"

STEEL

CATALOG NO.	NUMBER ARMS	A	POLE TENON SIZE	WT/LBS
UB3-4-2P	3 @ 120°	48"	2-3/8"	54
UB3-4-3P	3 @ 120°	48"	2-7/8"	56
UB3-4-4P	3 @ 120°	48"	4"	60
UB3-6-2P	3 @ 120°	72"	2-3/8"	77
UB3-6-3P	3 @ 120°	72"	2-7/8"	78
UB3-6-4P	3 @ 120°	72"	4"	82

UPSWEEP BRACKET - FOUR LIGHT

POLE TOP MOUNTING



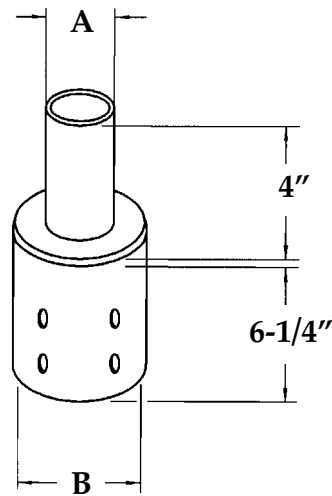
- Shipped with removable cap and mounting hardware assembled
- Finish: Primer
- For hot dip galvanized, substitute "G" in place of "P"
- For dark bronze, substitute "DB" in place of "P"

STEEL

CATALOG NO.	NUMBER ARMS	POLE TENON SIZE	WT/LBS
UB4-4-2P	4 @ 90°	2-3/8"	71
UB4-4-3P	4 @ 90°	2-7/8"	73
UB4-4-4P	4 @ 90°	4"	77

EXTERNAL TENON REDUCER FOR ROUND POLES

POLE TOP MOUNTING



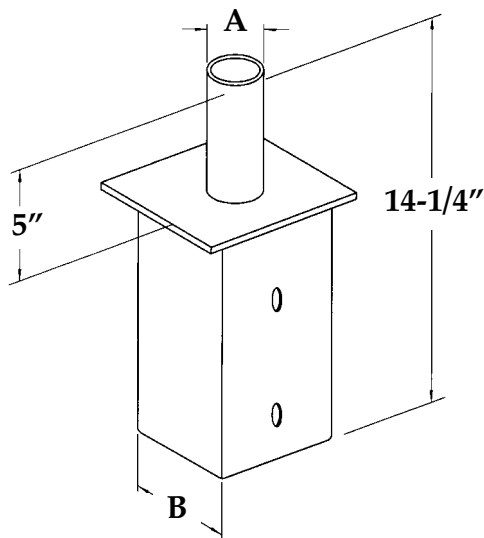
- Custom sizes can be manufactured for specific applications
- Shipped with mounting hardware assembled
- External Mounting
- Finish: Primer
- For hot dip galvanized, substitute "G" in place of "P"

STEEL

CATALOG NO.	A (O.D.)	B (I.D.)	WT/LBS
◆ TR-30-2P	2-3/8"	3-1/4" for 3" O.D. pole top	9
◆ TR-35-2P	2-3/8"	3-13/16" for 3-1/2" O.D. pole top	10
◆ TR-40-2P	2-3/8"	4-1/4" for 4" O.D. pole top	9
TR-40-3P	2-7/8"	4-1/4" for 4" O.D. pole top	10

INTERNAL TENON ADAPTER FOR SQUARE POLES

POLE TOP MOUNTING



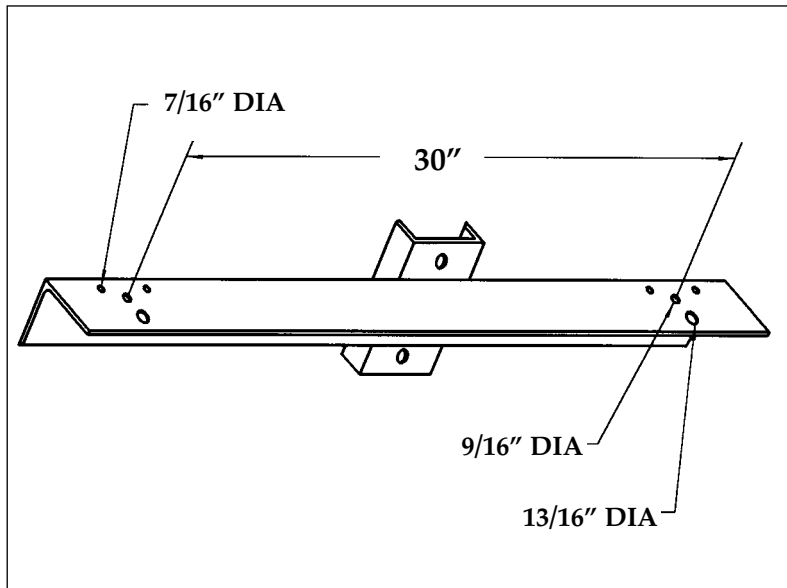
- Custom sizes can be manufactured for specific applications
- Shipped with mounting hardware assembled
- Internal Mounting
- Finish: Dark bronze "DB"
Primer "P"
- For hot dip galvanized, substitute "G"

STEEL

CATALOG NO.	A (O.D.)	B	WT/LBS
◆ RTASQ-4-2DB for 4" square pole	2-3/8"	3"	7
◆ RTASQ-5-2DB for 5" square pole	2-3/8"	4"	9
◆ RTASQ-6-2DB for 6" square pole	2-3/8"	5"	14
RTASQ-4-3.5P for 4" square pole	3-1/2"	3"	9
RTASQ-5-3.5P for 5" square pole	3-1/2"	4"	9
RTASQ-6-3.5P for 6" square pole	3-1/2"	5"	14

◆ indicates stock item (in limited quantity)

TWO LIGHT BRACKET



SPORTS LIGHTING

- Mounting hardware not included
- Finish: Primer "P" or Hot dip galvanized "G"
- Minimum pole diameter for mounting is 4"
- For square poles and diameters less than 4" – see page 36

STEEL

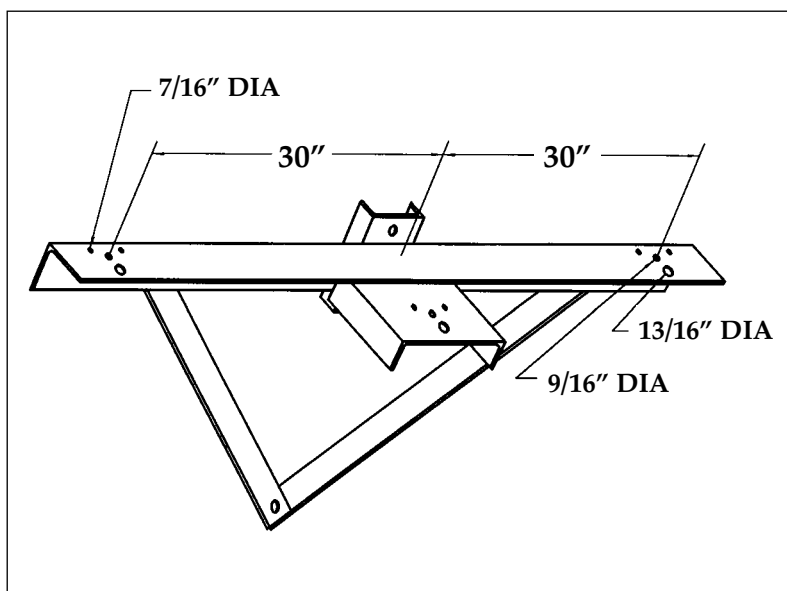
CATALOG NO.

- ◆ S2-T2-WPP
- ◆ S2-T2-WPG

WT/LBS

- 21
- 23

THREE LIGHT BRACKET WITH STANDOFF



SPORTS LIGHTING

- Mounting hardware not included
- Finish: Primer "P" or Hot dip galvanized "G"
- Minimum pole diameter for mounting is 4"
- For square poles and diameters less than 4" – see page 36

STEEL

CATALOG NO.

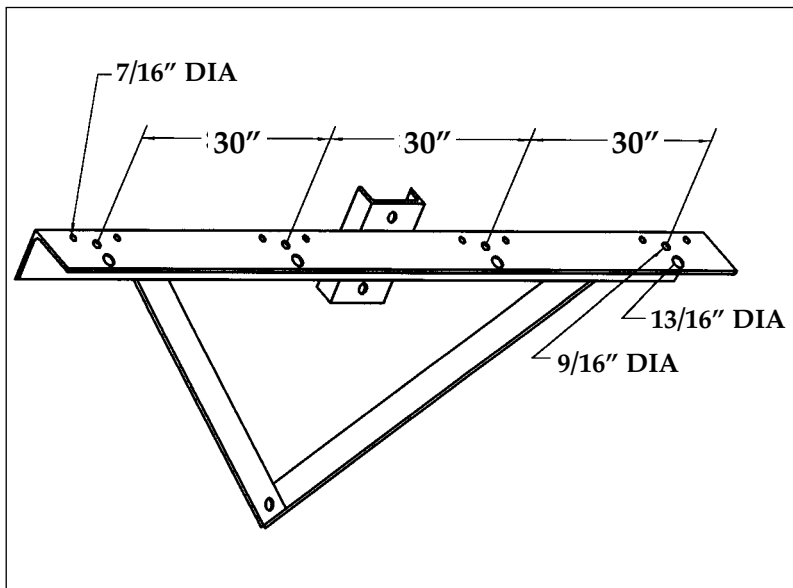
- ◆ S3-T3-WPPM
- ◆ S3-T3-WPGM
- ◆ indicates stock item (in limited quantity)

WT/LBS

- 68
- 73

FOUR LIGHT BRACKET

SPORTS LIGHTING



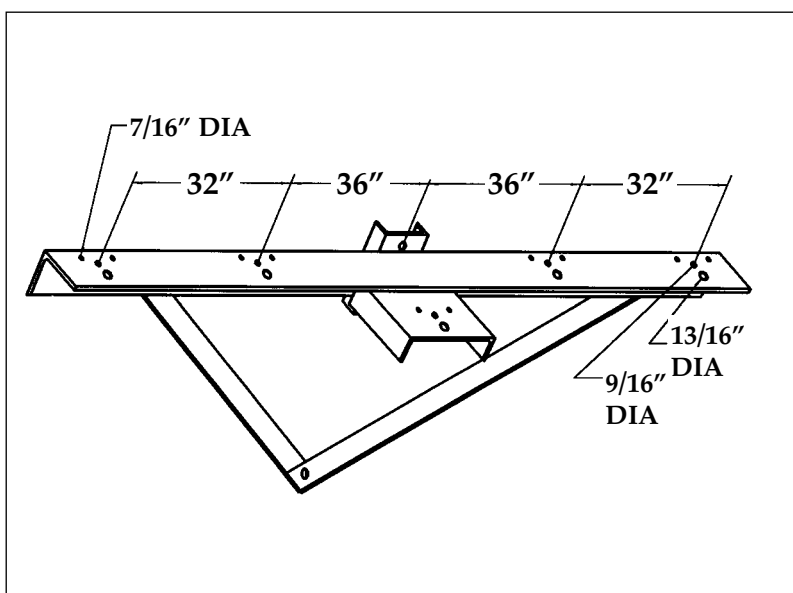
- Mounting hardware not included
- Finish: Primer "P" or Hot dip galvanized "G"
- Minimum pole diameter for mounting is 4"
- For square poles and diameters less than 4" – see page 36

STEEL

CATALOG NO.	WT/LBS
◆ S4-T4-WPP	89
◆ S4-T4-WPG	96

FIVE LIGHT BRACKET WITH STANDOFF

SPORTS LIGHTING

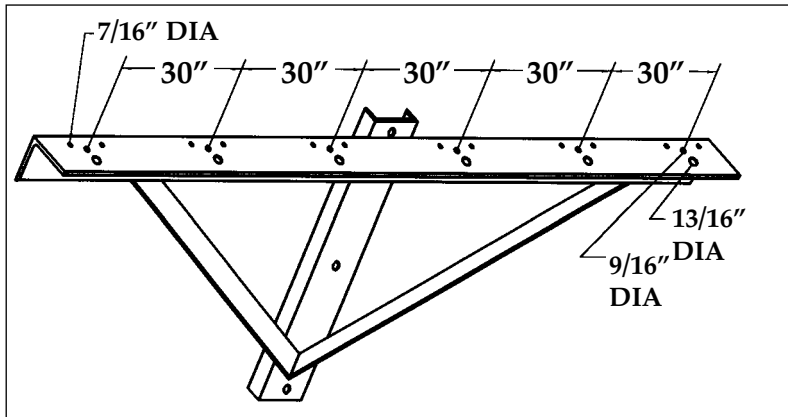


- Mounting hardware not included
- Finish: Primer "P" or Hot dip galvanized "G"
- Minimum pole diameter for mounting is 4"
- For square poles and diameters less than 4" – see page 36

STEEL

CATALOG NO.	WT/LBS
S5-T5-WPPM	130
◆ S5-T5-WPGM	142
◆ indicates stock item (in limited quantity)	

SIX LIGHT BRACKET



SPORTS LIGHTING

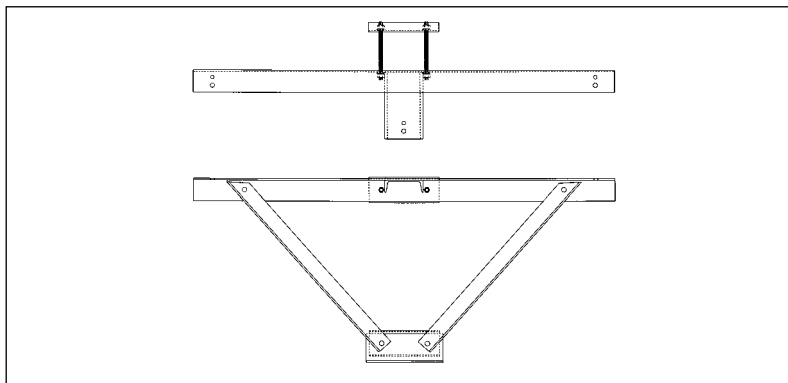
- Mounting hardware not included
- Finish: Primer "P" or Hot dip galvanized "G"
- Minimum pole diameter for mounting is 4"
- See page 38 for square poles and diameters less than 4"

STEEL

CATALOG NO.	WT/LBS
S6-T6-WPP	221
◆ S6-T6-WPG	239

◆ indicates stock item (in limited quantity)

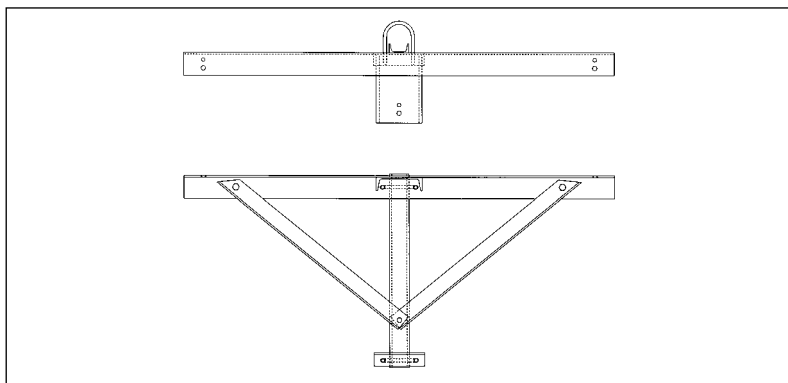
LIGHTING BRACKETS FOR SQUARE POLES



SPORTS LIGHTING

- Two to six lights
- Mounting hardware included
- Finish: Primer or Hot dip galvanized
- Indicate pole size when ordering

LIGHTING BRACKETS FOR ROUND POLES

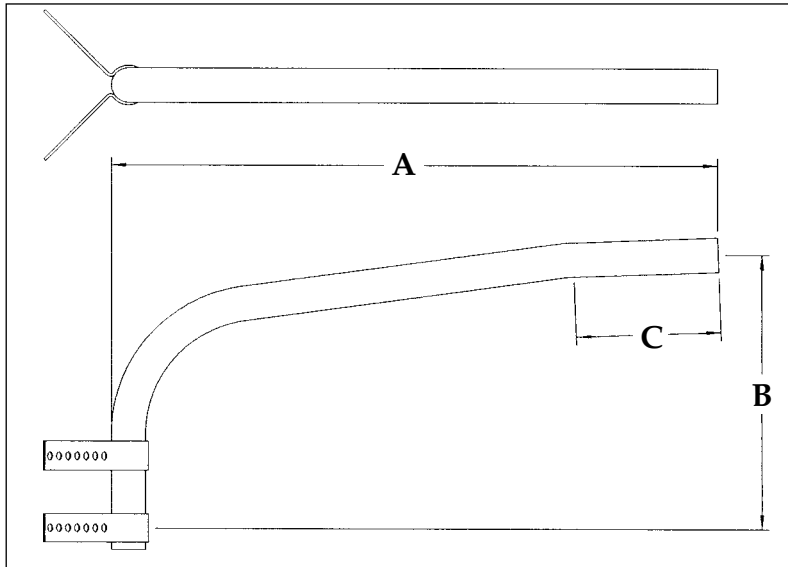


SPORTS LIGHTING

- Two to six lights
- Mounting hardware included
- Finish: Primer or Hot dip galvanized
- Indicate pole size when ordering

"E" SERIES - CANTILEVER STYLE BRACKET

CORNER MOUNTING



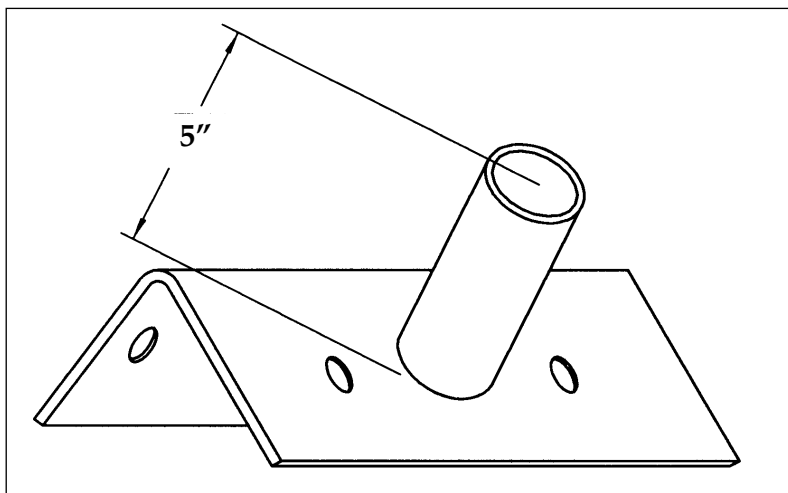
- Mounting hardware not included
- Finish: Hot dip galvanized

STEEL

CATALOG NO.	PIPE SIZE	NOM. LGTH.	A	B	C	WT/LBS
E125S026K	1-1/4"	2'-6"	30"	15"	10"	10
E125S040K	1-1/4"	4'	42"	19"	10"	12
E125S060K	1-1/4"	6'	66"	24"	12"	16
E200S026K	2"	2'-6"	30"	15"	10"	16
E200S040K	2"	4'	42"	19"	10"	19
E200S060K	2"	6'	66"	24"	12"	26
E200S080K	2"	8'	90"	30"	15"	31

PARAPET BRACKET

CORNER MOUNTING



- Mounting hardware not included
- Finish: Primer
- For hot dip galvanized, substitute "G" in place of "P"

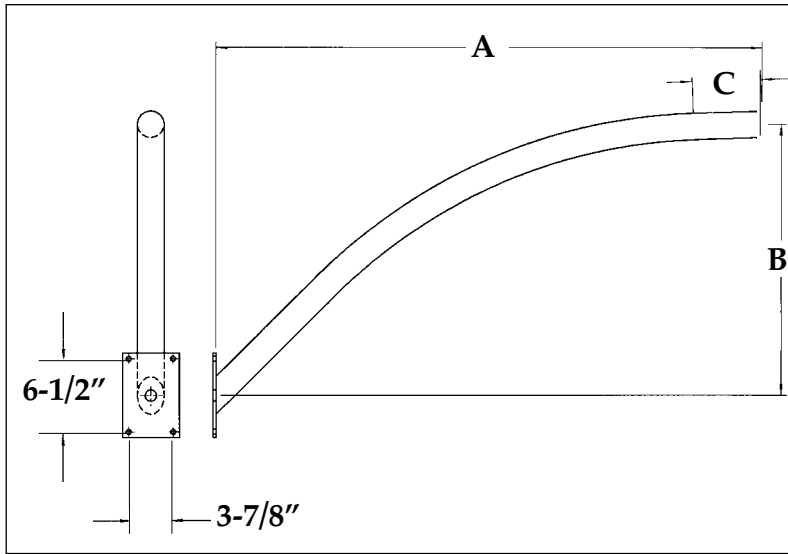
STEEL

CATALOG NO.	PIPE SIZE	WT/LBS
◆ PC-2P	2"	8

◆ indicates stock item (in limited quantity)

"J" SERIES - CONTINUOUS UPSWEEP STYLE BRACKET

WALL MOUNTING



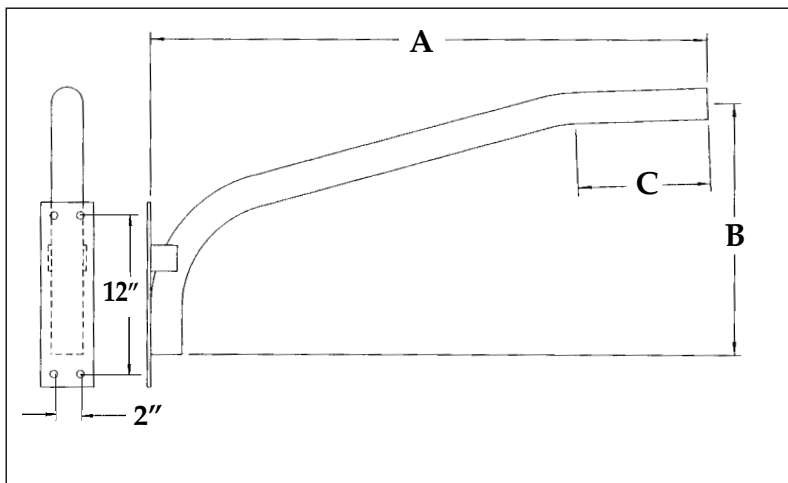
- Mounting hardware not included
- Finish: Hot dip galvanized

STEEL

CATALOG NO.	PIPE SIZE	NOM. LGTH.	A	B	C	WT/LBS
J200S040F	2"	4'	48"	24"	6"	20
J200S060F	2"	6'	72"	30"	12"	28
◆ J200S080F	2"	8'	90"	25"	27"	34

"E" SERIES - CANTILEVER STYLE BRACKET

WALL MOUNTING



- Mounting hardware not included
- Finish: Hot dip galvanized

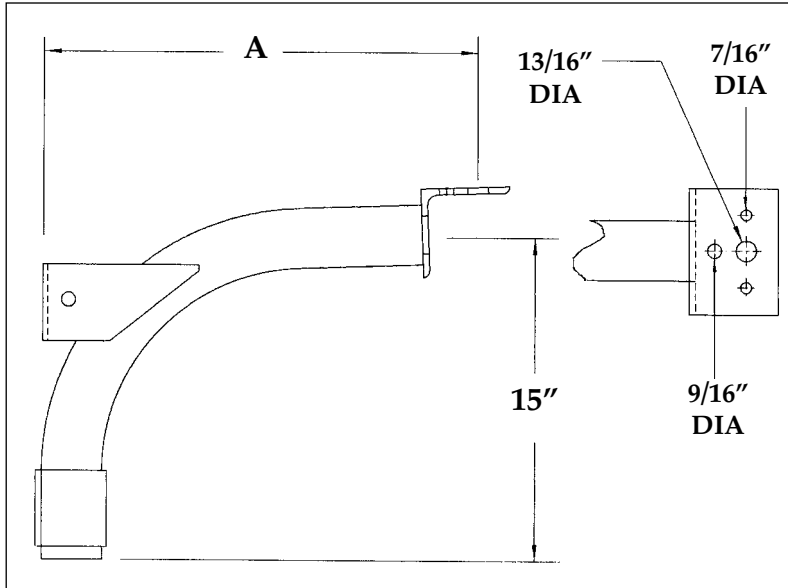
STEEL

CATALOG NO.	PIPE SIZE	NOM. LGTH.	A	B	C	WT/LBS
E125S026F	1-1/4"	2'-6"	30"	15"	10"	11
E125S040F	1-1/4"	4'	42"	19"	10"	13
E125S060F	1-1/4"	6'	66"	24"	12"	18
E200S026F	2"	2'-6"	30"	15"	10"	17
E200S040F	2"	4'	42"	19"	10"	22
E200S060F	2"	6'	66"	24"	12"	30
E200S080F	2"	8'	90"	30"	15"	38

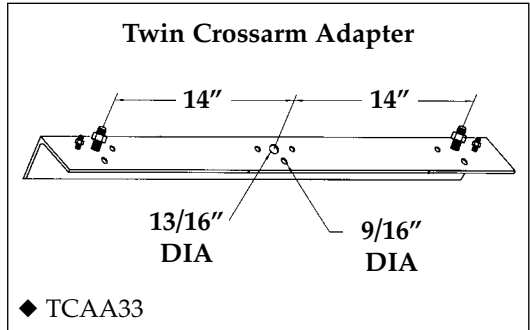
◆ indicates stock item (in limited quantity)

"P" SERIES - CROSS ARM BRACKET

WALL MOUNTING



- Fixture mounting hardware included
- Finish: hot dip galvanized
- For primer, substitute "P" in place of "S"

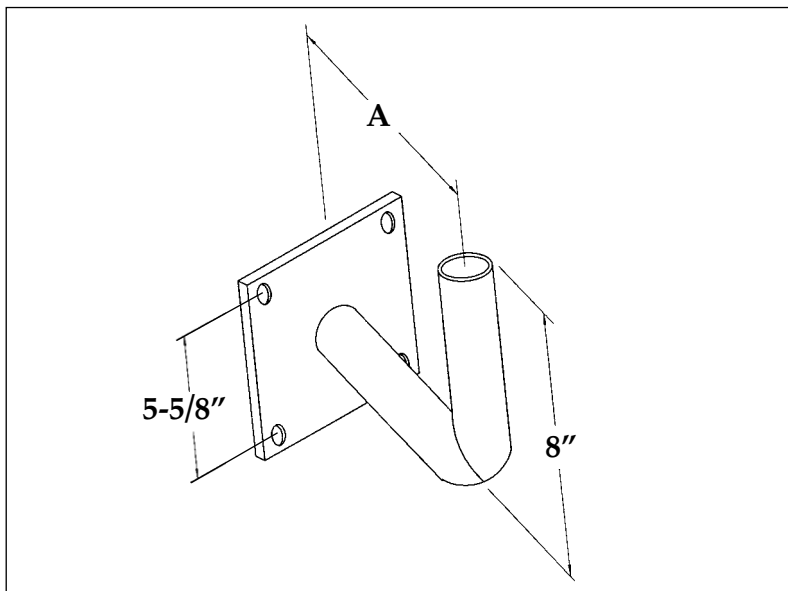


STEEL

CATALOG NO.	PIPE SIZE	NOM. LGTH.	A	WT/LBS
◆ P200S016CW	2"	1'-6"	18"	13
P200S040CW	2"	4'	48"	20

HEAVY RIGHT ANGLE BRACKET

WALL MOUNTING



- Mounting hardware not included
- 9/16" diameter mounting holes
- 7" square mounting plate
- Finish: Primer
- For hot dip galvanized, substitute "G" in place of "P"
- For dark bronze, substitute "DB" in place of "P"

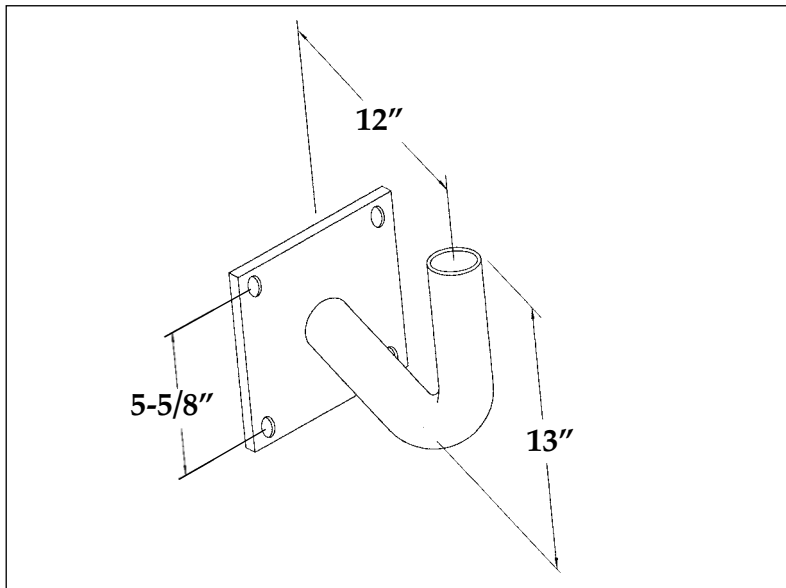
STEEL

CATALOG NO.	PIPE SIZE	A	WT/LBS
◆ RABH-P	2"	8-1/2"	11
◆ RABH14-P	2"	14"	12

◆ indicates stock item (in limited quantity)

RIGHT ANGLE BRACKET

WALL MOUNTING



- Mounting hardware not included
- 9/16" diameter mounting holes
- 7" square mounting plate
- Finish: Primer
- For hot dip galvanized, substitute "G" in place of "P"
- For dark bronze, substitute "DB" in place of "P"

STEEL

CATALOG NO.

◆ RAB-P

PIPE SIZE

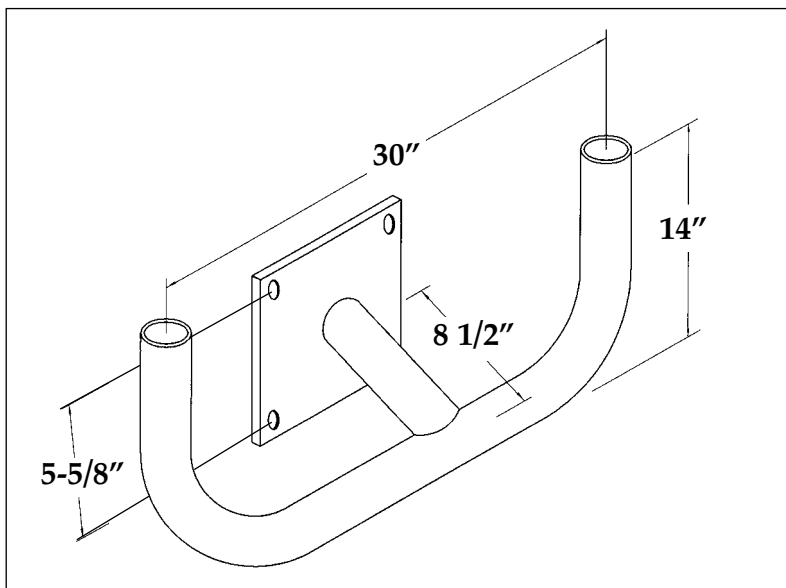
2"

WT/LBS

9

DOUBLE RIGHT ANGLE BRACKET

WALL MOUNTING



- Mounting hardware not included
- 9/16" diameter mounting holes
- 7" square mounting plate
- Finish: Primer
- For hot dip galvanized, substitute "G" in place of "P"
- For dark bronze, substitute "DB" in place of "P"

STEEL

CATALOG NO.

◆ DRAB-P

◆ indicates stock item (in limited quantity)

PIPE SIZE

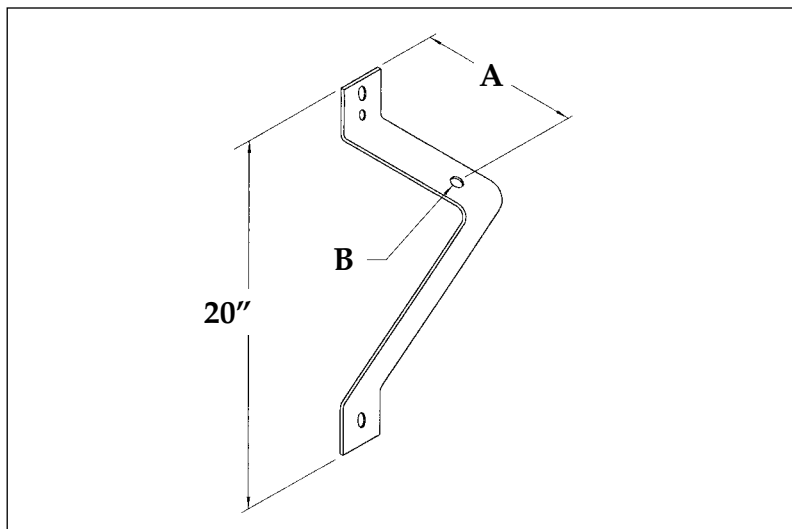
2"

WT/LBS

23

SIDE ANGLE BRACKET

WALL MOUNTING



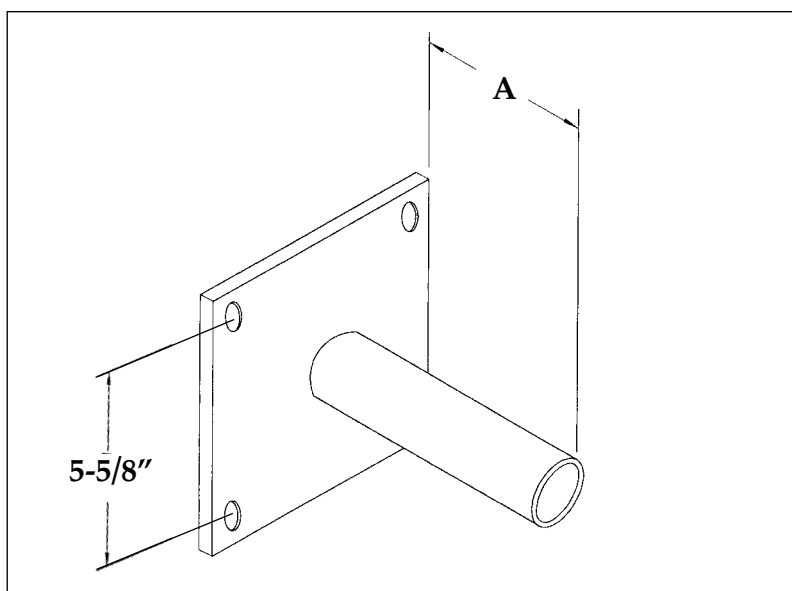
- Mounting hardware not included
- Finish: hot dip galvanized
- For primer, substitute "P" in place of "G"
- For dark bronze, substitute "DB" in place of "P"

STEEL

CATALOG NO.	A	B "DIA."	WT/LBS
◆ SAB-G	12-1/2"	11/16"	9
◆ XSAB-G	15-1/2"	7/8"	10

VERTICAL TENON BRACKET

WALL MOUNTING



- Mounting hardware not included
- 9/16" diameter mounting holes
- 7" square mounting plate
- Finish: Primer
- For hot dip galvanized, substitute "G" in place of "P"
- For dark bronze, substitute "DB" in place of "P"

STEEL

CATALOG NO.	PIPE SIZE	A	WT/LBS
VT2-4P	2"	4"	7
◆ VT2-6P	2"	6"	8

◆ indicates stock item (in limited quantity)

OUR MISSION...

Utility Metals, an established company since 1955, manufactures and fabricates products primarily for the outdoor lighting market.

Utility Metals is committed to operating profitably based on fair and competitively priced products.

Utility Metals is dedicated to excellence in the industry, by being more efficient than our competition, and by providing the highest quality products through the assurance of a documented quality program.

Utility Metals is dedicated to customer satisfaction: fulfilling the needs of the

customer on a timely basis and building relationships through value added service.

Utility Metals is a responsible community partner and encourages employee involvement.

Utility Metals is committed to providing an environment for its employees that includes

respect, training, development, and fulfillment, in order to achieve job satisfaction and a high level of productivity.

Utility Metals is committed to being a leader in the outdoor lighting market, and to the exploration of new markets for growth opportunities.

UTILITY METALS AT A GLANCE...



- Manufacturer of outdoor lighting products since 1955
- Steel and aluminum mast arms, brackets, and pole accessories
- Square, round, and round tapered steel area lighting poles
- Powder coat, hot dip galvanized, acrylic paint, and primer finishes
- Custom fabrication
- Substantial inventory maintained for immediate shipment
- Customers include OEMs, utilities, distributors, and contractors
- Distributors for Akron Foundry transformer bases

QUALITY ASSURANCE...

Utility Metals' success through time has demonstrated a strong customer commitment.

We have taken that commitment a step further by providing our customers with the

assurance of a documented quality program; created along the guidelines of ISO 9001.

We are driven to exceed our customers' needs through

exceptional service and on-time deliveries. A continuous effort is made to seek innovative ways of providing the highest quality products in the most cost effective manner.



MEMBERS...

As a further commitment to and our support for the lighting and electrical industry, Utility Metals is proud to be a member of the following associations:



TERMS AND CONDITIONS

WARRANTY

Utility Metals warrants all goods of our manufacture to be free from defects in material and workmanship under normal use and service. Any goods found to be defective, upon examination by us, within 12 months from date of shipment, shall be repaired or replaced by us without charge, FOB factory within the continental United States. All export taxes, fees and duties occurring from warranty shipments beyond the continental United States will be the customer's responsibility.

This warranty shall be null and void and of no effect unless we are notified of such defect, all within 12 months from date of shipment. Such notification shall be directed to the office of Utility Metals. No goods shall be returned without prior written approval.

Explicitly excluded from this warranty are: special finishes and labor required to remove and/or reinstall original or replacement parts.

This warranty does not cover damage caused by improper installation, overloading, accident, improper storage, or neglect, alterations, modifications, or additions.

Utility Metals warrants the items purchased from other manufacturers only to the extent of the normal warranty of these manufacturers.

The above warranties are given in lieu of all other warranties express or implied, including without limitation, the warranty of merchantability and the warranty of suitability for a particular purpose. It is expressly agreed that Utility Metals assumes no liability for liquidated damages arising out of a breach of contract, including any warranties arising therefrom, and buyer's remedy shall be limited to repair or replacement of defective parts as described above.

QUOTATIONS

Prices quoted are subject to receipt and acceptance of order within 30 days of the date of the quotation unless otherwise noted on quote.

TAXES

Utility Metals reserves the right to add sales tax, or any other tax, which may be imposed on our products, as required by law. All shipments into the State of Kentucky will carry the current state sales tax unless a resale certificate for the State of Kentucky is on file at Utility Metals.

TERMS OF PAYMENT

Payment terms are net 30 days to established customers. New customers must furnish credit references before credit can be issued. A credit line will be based on credit reference information received by Utility Metals.

CANCELLATIONS

Written consent from Utility Metals must be obtained prior to the cancellation of any order. Cancellation charges may apply.

RETURNED GOODS

Prior written authorization from Utility Metals must be obtained before credit on returned goods will be given. Returns shall be subject to a restocking charge and must be returned to Utility Metals freight "prepaid."

LOSS OR DAMAGE IN TRANSIT

Utility Metals shall not be liable for loss or damage in transit. The following steps must be taken to ensure proper handling of loss or damage claims:

- 1) Products received freight prepaid must be checked against the packing list to ensure all items were delivered. In case of shortages, note on the carrier's paperwork "Shipment Received Short." If shortage is not discovered upon receipt from carrier, Utility Metals must be notified of shortages within 24 hours of receipt to ensure a claim for loss can be filed. Shortages reported later than 24 hours carry no guarantee of replacement/credit.
- 2) Products received freight prepaid must be checked for damage upon receipt. In the case of damage observed upon delivery, note on carrier's paperwork "Received with Damage." Contact Utility Metals immediately. In the case of concealed damage, Utility Metals must be notified within 24 hours of receipt in order to report concealed damage to the carrier. Failure to report concealed damage within 24 hours may result in loss of repair costs/replacement of product.
- 3) Products received freight collect must be checked for damage upon receipt. In case of damage observed upon delivery, note on carrier's paperwork "Received with Damage," Utility Metals will not be responsible for any damage or loss on collect shipments. Freight claims rest solely with the consignee.

DELIVERIES

Delivery dates are estimated dates only, and unless otherwise specified, are estimated from the date of receipt by Utility Metals of purchase order, complete technical data and approved drawings.

In estimating such dates, no allowance will be made, nor shall we be liable directly or indirectly, for delays of carriers or delays from labor difficulties, shortages, strikes or stoppages of any sort, fires, accidents, failure or delay in obtaining materials or manufacturing facilities, acts of government affecting us directly or indirectly, bad weather or any causes beyond our control or causes designated as Acts of God or forces of nature by any court of law, and the estimated delivery dates shall be extended accordingly. We will not be liable for any damages or penalties, whatsoever, whether direct, indirect, special or consequential, resulting from our failure to perform or delay in performing unless otherwise agreed in writing by an authorized officer of Utility Metals.

FOR SPECIAL DESIGNS AND/OR APPLICATIONS NOT SHOWN IN OUR CATALOGS, PLEASE CONSULT UTILITY METALS.



Utility Metals

P.O. Box 9054
Louisville, Ky 40209

800-627-8276

502-363-6681

502-368-2656 FAX

www.utilitymetals.com

*A division of
Fabricated Metals LLC*



P.O. Box 9054 • Louisville, Ky 40209
800-627-8276 • 502-363-6681 • 502-368-2656 FAX
www.utilitymetals.com

A division of Fabricated Metals LLC