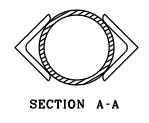
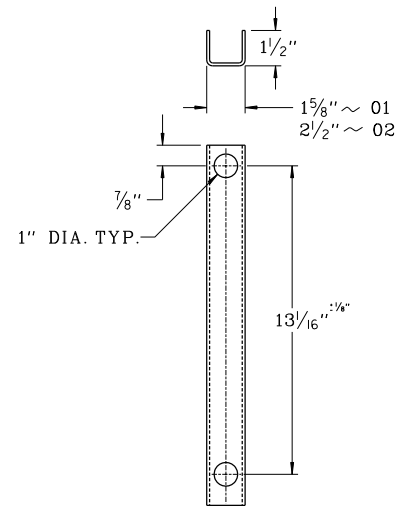
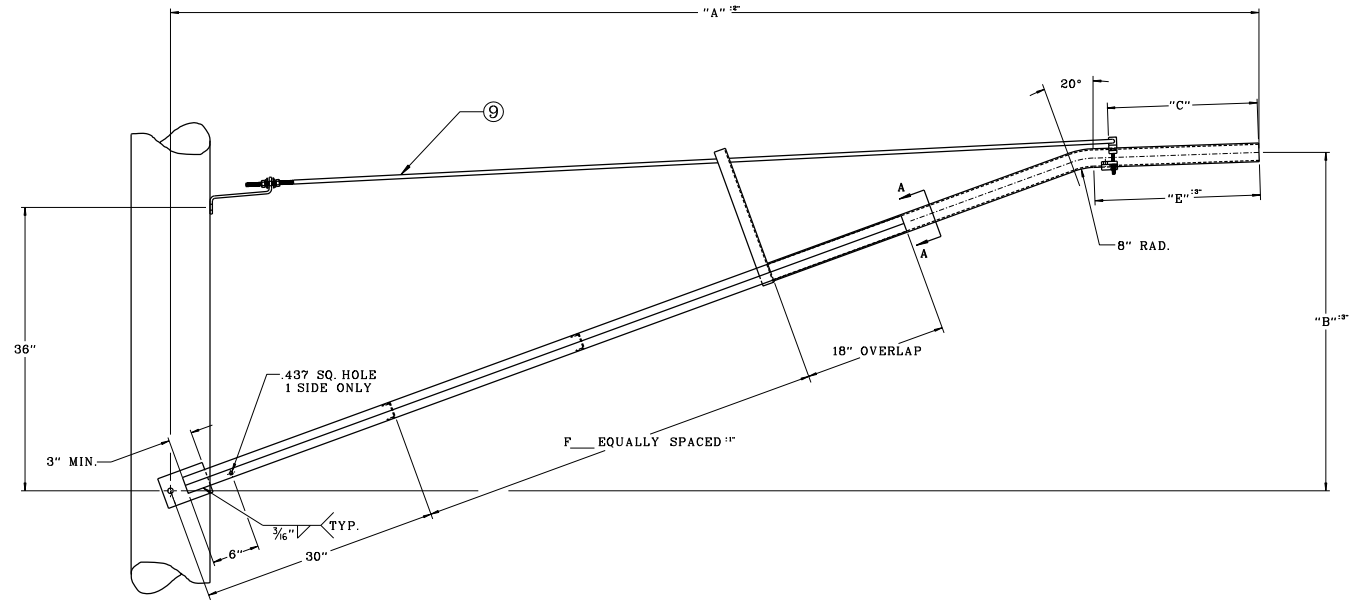
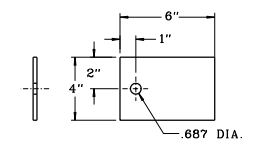
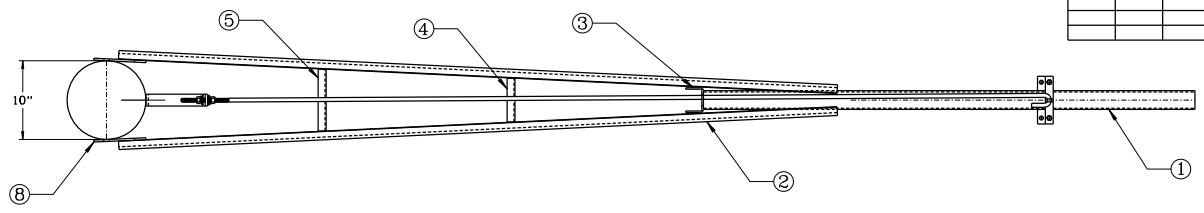


| PART* | A | B | C | D | E | F | G | H | J | ASSY. |
|----------|------|-----|-----|-----|-----|---|--------|--------|--------|-------|
| A125S140 | 162" | 50" | 20" | 28" | 24" | 2 | 5 1/8" | 4 1/2" | | 1 |
| A200S140 | 162" | 50" | 20" | 28" | 24" | 2 | 5 1/8" | 4 3/8" | | 1 |
| A125S160 | 186" | 56" | 23" | 28" | 27" | 3 | 5 1/8" | 4 1/2" | | 2 |
| A200S160 | 186" | 56" | 23" | 28" | 27" | 3 | 6 3/8" | 5 1/8" | 6 1/8" | 2 |
| A125S180 | 210" | 66" | 26" | | 30" | 3 | | | 5 1/8" | 3 |
| A200S180 | 210" | 66" | 26" | | 30" | 3 | 4 1/2" | 5 5/8" | 7 1/8" | 3 |
| A125S200 | 234" | 73" | 29" | 21" | 33" | 4 | | | | 4 |
| A200S200 | 234" | 73" | 29" | 21" | 33" | 4 | 3 1/8" | 4 1/8" | | 4 |



| BILL OF MATERIAL | | | | | | | | | | |
|------------------|-----------|--------|--------|------|------|-------|---|---------------------------------|-------------|---------|
| EXT. COST | UNIT COST | VENDOR | P.O. # | ITEM | WGT. | ASSY. | DESCRIPTION | MTY. PER 01 | MTY. PER 02 | CUTTING |
| | | | | 1 | 11.8 | 1 | 1.66 O.D. x .109 W. TUBE x 80 3/8" | A500 GRADE B | 1 | ---- |
| | | | | 1 | 19.4 | 1 | 2 3/8" O.D. x .120 W. TUBE x 80 3/8" | A500 GRADE B | 1 | ---- |
| | | | | 1 | 13.9 | 2 | 1.66 O.D. x .109 W. TUBE x 94 1/8" | A500 GRADE B | 1 | ---- |
| | | | | 1 | 22.7 | 2 | 2 3/8" x .120 W. TUBE x 94 1/8" | A500 GRADE B | 1 | ---- |
| | | | | 1 | 15.7 | 3 | 1.66 O.D. x .109 W. TUBE x 107" | A500 GRADE B | 1 | ---- |
| | | | | 1 | 25.8 | 3 | 2 3/8" O.D. x .120 W. TUBE x 107" | A500 GRADE B | 1 | ---- |
| | | | | 1 | 17.7 | 4 | 1.66 O.D. x .109 W. TUBE x 120" | A500 GRADE B | 1 | ---- |
| | | | | 1 | 28.9 | 4 | 2 3/8" O.D. x .120 W. TUBE x 120" | A500 GRADE B | 1 | ---- |
| | | | | 2 | 16.3 | 1 | 1 1/2" x 1 1/2" x 3/8" A36 ANGLE x 108" | | 2 | 2 |
| | | | | 2 | 18 | 2 | 1 1/2" x 1 1/2" x 3/8" A36 ANGLE x 120" | | 2 | 2 |
| | | | | 2 | 19.9 | 3 | 1 1/2" x 1 1/2" x 3/8" A36 ANGLE x 132 1/2" | | 2 | 2 |
| | | | | 2 | 21.8 | 4 | 1 1/2" x 1 1/2" x 3/8" A36 ANGLE x 145" | | 2 | 2 |
| | | | | 3 | 3 | ALL | 10 GA. X 5 1/8" X 15 1/2" CENTER POST | | 1 | 1 |
| | | | | 3 | 2.9 | ALL | 10 GA. X 4 3/8" X 15 1/2" CENTER POST | | 1 | 1 |
| | | | | 4 | | ALL | 2" x 1" x 1/8" A36 CHANNEL x G CENTER BRACE | 1 | 1 | 1 |
| | | | | 5 | | ALL | 2" x 1" x 1/8" A36 CHANNEL x H CENTER BRACE | 1 | 1 | 1 |
| | | | | 6 | | ALL | 2" x 1" x 1/8" A36 CHANNEL x J CENTER BRACE | 1 | 1 | 1 |
| | | | | 7 | | ALL | 2" x 1" x 1/8" A36 CHANNEL x K CENTER BRACE | 1 | 1 | 1 |
| | | | | 9 | 3.4 | ALL | 1/4" x 4" A36 FLAT BAR x 6" | 2 | 2 | |
| | | | | 9 | 7.2 | 1 | 1/2"-13 GUY ROD x 148" | TAKE FROM STOCK & HARDEN TO 110 | 1 | 1 |
| | | | | 9 | | 2 | 1/2"-13 GUY ROD x 169" | TAKE FROM STOCK & HARDEN TO 110 | 1 | 1 |
| | | | | 9 | | 3 | 1/2"-13 GUY ROD x 185" | TAKE FROM STOCK (HDC.) | 1 | 1 |
| | | | | 9 | | 4 | 1/2"-13 GUY ROD x 206" | TAKE FROM STOCK (HDC.) | 1 | 1 |
| | | | | 10 | 5 | ALL | CHB1.25S-5 IS HARDWARE BAG | TAKE FROM STOCK (HDC.) | 1 | ---- |
| | | | | 10 | 5 | ALL | CHB2S-.52S HARDWARE BAG | TAKE FROM STOCK (HDC.) | 1 | ---- |



DETAIL: PART #7 S.O. _____
 SCALE: 1/4" = 1" QTY. _____
 FINISH _____

REF. DWG. H-3897-15

| REV. | DATE | DESCRIPTION | BY |
|------|------|-------------|----|
| 1 | | | |

| | | | |
|---|---|---|--|
| TOLERANCES: UNLESS OTHERWISE SPECIFIED: FRACTIONS: 1/16" DECIMALS: .001 ANGLES: 1/2 DEG | FROM DRAWING AND ANY APPROPRIATE DATA. MATERIALS SPECIFIED BY THE PURCHASER OR PRODUCER. SPECIAL TREATMENTS: INFORMATION NOT IN SPECIFICATIONS IS OBTAINED FROM MANUFACTURERS AND SUPPLIERS. DIMENSIONS HOLD FOR THE ENTIRE SERVICE LIFE UNLESS OTHERWISE SPECIFIED BY A REVISION OR OTHERWISE. DIMENSIONS HOLD OR SHOWN WITH OTHER DIMENSIONS UNLESS OTHERWISE SPECIFIED BY A REVISION OR OTHERWISE. | UTILITY METALS A DIV. OF FABRICATED METALS CORP. P.O. BOX 9054 LOUISVILLE KY 40209-9054 PHONE: (502) 263-0681 TOLL FREE (800) 827-8276 FAX (502) 268-2856 | JOB: A-FRAME BKTS. 14' 18' 18' 20' APPROVED: P.D. DATE: 10-21-13 SCALE: 1/8" = 1" DWG: 1-7060-0 |
|---|---|---|--|