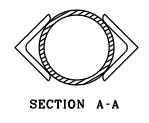
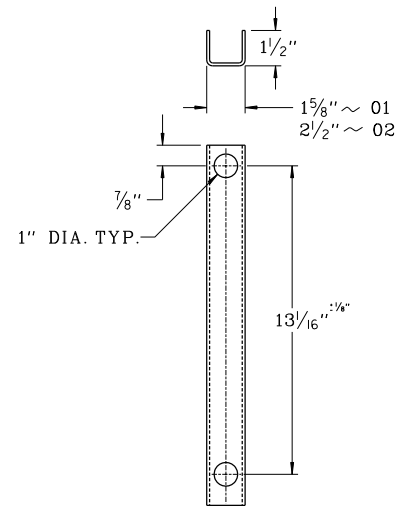
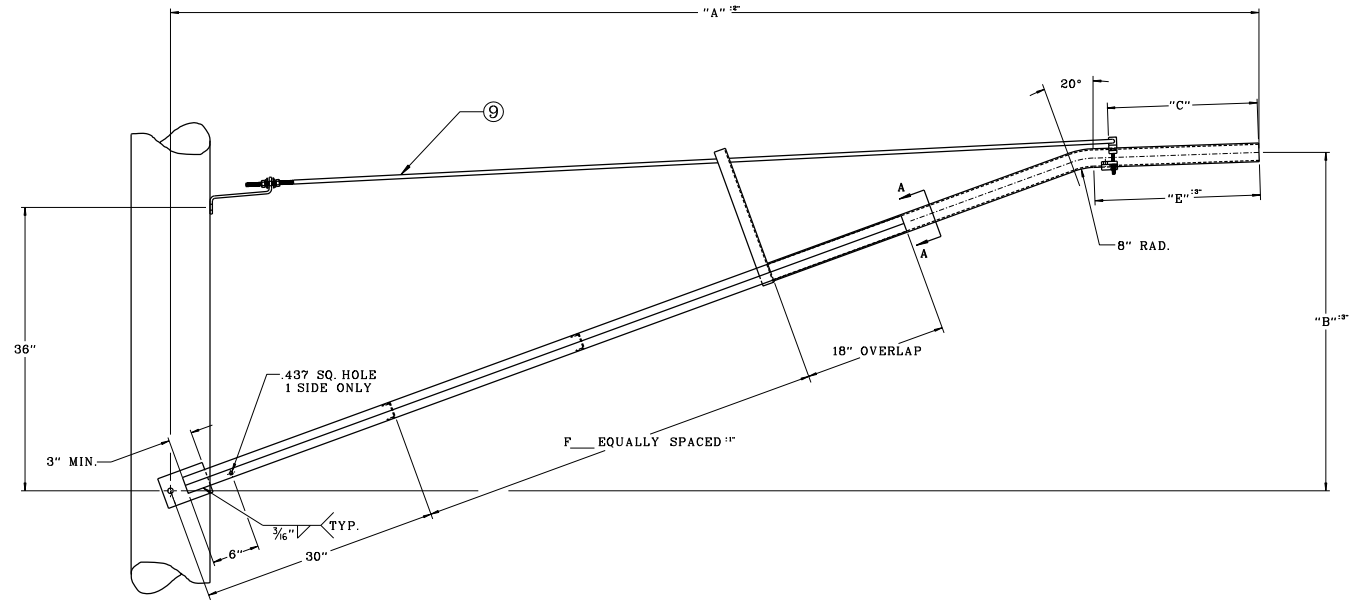
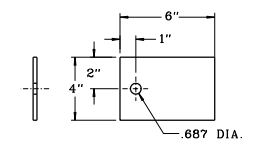
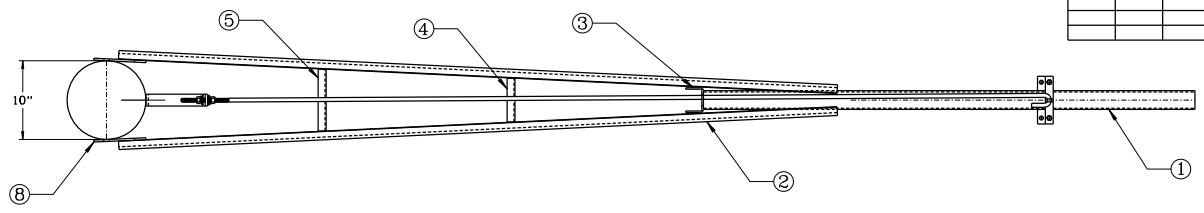


PART*	A	B	C	D	E	F	G	H	J	ASSY.
A125S140	162"	50"	20"	28"	24"	2	5 1/8"	4 1/2"		1
A200S140	162"	50"	20"	28"	24"	2	5 1/8"	4 3/8"		1
A125S160	186"	56"	23"	28"	27"	3	5 1/8"	4 1/2"		2
A200S160	186"	56"	23"	28"	27"	3	6 3/8"	5 1/8"	6 1/8"	2
A125S180	210"	66"	26"		30"	3			5 1/8"	3
A200S180	210"	66"	26"		30"	3	4 1/2"	5 5/8"	7 1/8"	3
A125S200	234"	73"	29"	21"	33"	4				4
A200S200	234"	73"	29"	21"	33"	4	3 1/2"	4 1/2"		4



BILL OF MATERIAL										
EXT. COST	UNIT COST	VENDOR	P.O. #	ITEM	WGT.	ASSY.	DESCRIPTION	MTY. PER 01	MTY. PER 02	CUTTING
				1	11.8	1	1.66 O.D. x .109 W. TUBE x 80 3/8"	A500 GRADE B	1	----
				1	19.4	1	2 3/8" O.D. x .120 W. TUBE x 80 3/8"	A500 GRADE B	1	----
				1	13.9	2	1.66 O.D. x .109 W. TUBE x 94 1/8"	A500 GRADE B	1	----
				1	22.7	2	2 3/8" x .120 W. TUBE x 94 1/8"	A500 GRADE B	1	----
				1	15.7	3	1.66 O.D. x .109 W. TUBE x 107"	A500 GRADE B	1	----
				1	25.8	3	2 3/8" O.D. x .120 W. TUBE x 107"	A500 GRADE B	1	----
				1	17.7	4	1.66 O.D. x .109 W. TUBE x 120"	A500 GRADE B	1	----
				1	28.9	4	2 3/8" O.D. x .120 W. TUBE x 120"	A500 GRADE B	1	----
				2	16.3	1	1 1/2" x 1 1/2" x 3/8" A36 ANGLE x 108"		2	2
				2	18	2	1 1/2" x 1 1/2" x 3/8" A36 ANGLE x 120"		2	2
				2	19.9	3	1 1/2" x 1 1/2" x 3/8" A36 ANGLE x 132 1/2"		2	2
				2	21.8	4	1 1/2" x 1 1/2" x 3/8" A36 ANGLE x 145"		2	2
				3	3	ALL	10 GA. X 5 1/8" X 15 1/2" CENTER POST		1	1
				3	2.9	ALL	10 GA. X 4 3/8" X 15 1/2" CENTER POST		1	1
				4		ALL	2" x 1" x 1/8" A36 CHANNEL x G CENTER BRACE	1	1	
				5		ALL	2" x 1" x 1/8" A36 CHANNEL x H CENTER BRACE	1	1	
				6		ALL	2" x 1" x 1/8" A36 CHANNEL x J CENTER BRACE	1	1	
				7		ALL	2" x 1" x 1/8" A36 CHANNEL x K CENTER BRACE	1	1	
				9	3.4	ALL	1/4" x 4" A36 FLAT BAR x 6"		2	2
				9	7.2	1	1/2"-13 GUY ROD x 148"	TAKE FROM STOCK & HARDEN TO 110	1	1
				9		2	1/2"-13 GUY ROD x 169"	TAKE FROM STOCK & HARDEN TO 110	1	1
				9		3	1/2"-13 GUY ROD x 185"	TAKE FROM STOCK (HDC.)	1	1
				9		4	1/2"-13 GUY ROD x 206"	TAKE FROM STOCK (HDC.)	1	1
				10	5	ALL	CHB1.25S-5 IS HARDWARE BAG	TAKE FROM STOCK (HDC.)	1	----
				10	5	ALL	CHB2S-.52S HARDWARE BAG	TAKE FROM STOCK (HDC.)	1	----



DETAIL: PART #7 S.O. _____
 SCALE: 1/4" = 1" QTY. _____
 FINISH _____

REF. DWG. H-3897-15

REV.	DATE	DESCRIPTION	BY
1			

TOLERANCES: UNLESS OTHERWISE SPECIFIED: FRACTIONS: 1/16" DECIMALS: .001 ANGLES: 1/2 DEG	FROM DRAWING AND ANY APPROPRIATE DATA. MATERIALS SPECIFIED BY THE CONTRACTOR OR PRODUCER. ALL DIMENSIONS UNLESS OTHERWISE SPECIFIED. INFORMATION AND INSTRUCTIONS AS APPLICABLE. DIMENSIONS TO BE SHOWN ON THE DRAWING. DIMENSIONS TO BE SHOWN ON THE DRAWING. DIMENSIONS TO BE SHOWN ON THE DRAWING. DIMENSIONS TO BE SHOWN ON THE DRAWING.	UTILITY METALS A DIV. OF FABRICATED METALS CORP. P.O. BOX 9054 LOUISVILLE KY 40209-9054 PHONE: (502) 263-0681 TOLL FREE (800) 827-8276 FAX (502) 268-2856	JOB: A-FRAME BKTS. 14' 18' 18' 20' APPROVED: P.D. DATE: 10-21-13 SCALE: 1/8" = 1" DWG: 1-7060-0
---	---	---	--